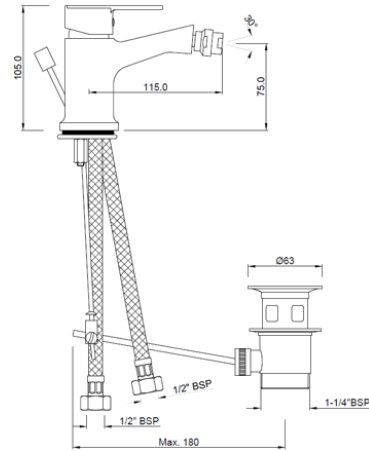


PRODUCT IMAGE



TECHNICAL DRAWING



PRODUCT DETAILS

Product Code	ORI-CHR-109213B
Description	Single Lever Bidet Mixer with Popup Waste & 375mm Long Braided Hoses
Connection Size	"Braided hoses, 1/2" FIP (ACS Approved) Withstand pressure of 10 Bar"
Flow Rate	8.01 LPM @ 3 bar
Flow regulator	By using flow regulators (Product should be ordered with suffix as GA-6.0 LPM, @ 3.0 Bar pressure) one can regulate the flow rate.
Recommended Water Pressure	0.5 Bar - 5 Bar
Material Composition Specification in Percentage	"Brass Ingots as per IS:1264-1997" Cu (58.0-63.0), Sn (0.0-1.0), Pb (0.5-2.5), Ni (0.0-1.0), Al (0.2-0.8), Mn (0.0-0.5), Total Impurity (0.0-2.0), Zn (Remainder) Brass Rod as per IS:319-1989 Cu (56.0-59.0), Pb (2.0-3.5), Fe (0.0-0.35), Total Impurity (0.0-0.7), Zn (Remainder)"
Cartridge Specification	"NSF-61 Approved Cartridge with Temperature Limiter Cartridge with Brass Spindle Life Cycle EN 817: 70,000 cycles (Standard) - 1.40 LAC Cycles as per EN 817* - 7.0 LAC Cycles (ON/OFF)**"
Accessories incl.	Pop-up waste 1 1/4"
Water Tightness	12 bar (Pass)
Pressure Resistance	20 bar (Pass)
Finish	"Plating: Nickel-8.0 micron Chromium-0.20 micron Salt Spray (300 hrs + Validated) Adhesion (Pass)"
Aerator Size	M18X1mm
Available Colour Finishing	Chrome (CHR)