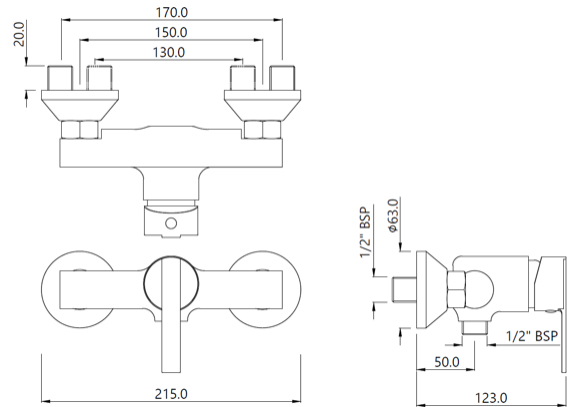


PRODUCT IMAGE



TECHNICAL DRAWING



PRODUCT DETAILS

Product Code	ORI-CHR-109149
Description	Single Lever Shower Mixer, Wall Mounted
Flow Rate	31.28 LPM @ 3 bar
Recommended Water Pressure	0.5 Bar - 5 Bar
Brass Specification in Percentage	<p>"Brass Ingots as per IS:1264-1997 Cu (58.0-63.0), Sn (0.0-1.0), Pb (0.5-2.5), Ni (0.0-1.0), Al (0.2-0.8), Mn (0.0-0.5), Total Impurity (0.0-2.0), Zn (Remainder)</p> <p>Brass Rod as per IS:319-1989 Cu (56.0-59.0), Pb (2.0-3.5), Fe (0.0-0.35), Total Impurity (0.0-0.7), Zn (Remainder)</p> <p>Brass Sheets as per IS:410-1977 Cu (61.5-64.5), Pb (0.0-0.3), Fe (0.0-0.075), Total Impurity (0.0-0.6), Zn (Remainder)</p> <p>S.S Sheets as per AISI : 304 Ni (8.0-11.0), Ch (18.0-20.0), Mn (0.0-0.2), Ca (0.0-0.08), Ir (Remainder)"</p>
Cartridge Specification	<p>"NSF-61 Approved Cartridge with Temperature Limiter Cartridge with Brass Spindle Life Cycle EN 817: 70,000 cycles (Standard) - 1.40 LAC Cycles as per EN 817* - 7.0 LAC Cycles (ON/OFF)**"</p>
Water Tightness	12 bar (Pass)
Pressure Resistance	20 bar (Pass)
Finish	<p>"Plating: Nickel-8.0 micron Chromium-0.20 micron Salt Spray (300 hrs + Validated) Adhesion (Pass)"</p>
Available Colour Finishing	CHROME (CHR)

DISCLAIMER: Our every effort has been made to ensure factual accuracy, the information presented subject to changes due to requirements in different sites, markets and/ or countries. 10% variation in flow rate may be possible. Jaquar reserves the right to make the necessary amendments at any time without prior notice.