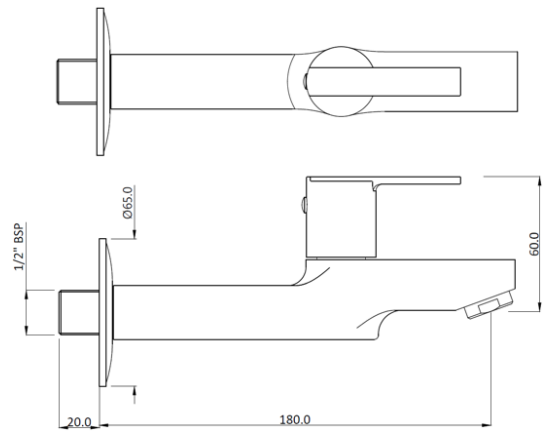


PRODUCT IMAGE



TECHNICAL DRAWING



PRODUCT DETAILS

Product Code	ORI-CHR-109107
Description	Bib Tap Long Body with Wall Flange
Flow Rate	14.21 LPM @ 3 bar
Flow regulator	By using flow regulators (Product should be ordered with suffix as G-2.5 LPM, GA-6.0 LPM, GB-8.0 LPM, GD-3.8 LPM & GE-1.3 LPM @ 3.0 Bar pressure) one can regulate the flow rate.
Recommended Water Pressure	0.5 Bar - 5 Bar
Material Composition Specification in Percentage	<p><b>"Brass Ingots as per IS:1264-1997</b> Cu (58.0-63.0), Sn (0.0-1.0), Pb (0.5-2.5), Ni (0.0-1.0), Al (0.2-0.8), Mn (0.0-0.5), Total Impurity (0.0-2.0), Zn (Remainder)</p> <p><b>Brass Rod as per IS:319-1989</b> Cu (56.0-59.0), Pb (2.0-3.5), Fe (0.0-0.35), Total Impurity (0.0-0.7), Zn (Remainder)</p> <p><b>Brass Sheets as per IS:410-1977</b> Cu (61.5-64.5), Pb (0.0-0.3), Fe (0.0-0.075), Total Impurity (0.0-0.6), Zn (Remainder)"</p>
Cartridge Specification	<p><b>"Fittings :</b> Components have WRAS Approved for food grade conformity with Brass Housing and Spindle Life Cycle EN 200: 200,000 cycles (Standard) - 4.0 LAC Cycles as per EN 200*"</p>
Water Tightness	12 bar (Pass)
Pressure Resistance	20 bar (Pass)
Finish	<p><b>"Plating:</b> Nickel-8.0 micron Chromium-0.20 micron Salt Spray (300 hrs + Validated) Adhesion (Pass)"</p>
Aerator Size	M22X1mm
Available Colour Finishing	Chrome (CHR)