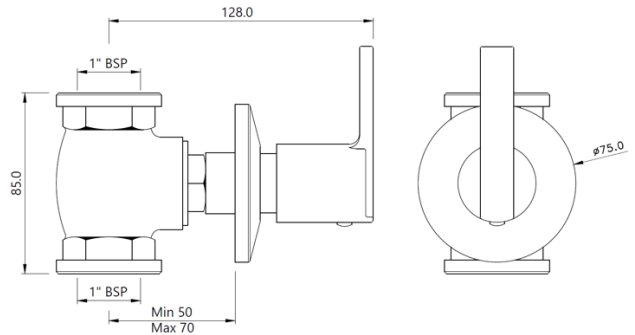


PRODUCT IMAGE



TECHNICAL DRAWING



PRODUCT DETAILS

Product Code	ORI-CHR-109081
Description	In-wall Flush Valve with Wall Flange, Size 25 mm (With Exposed and In-wall parts)
Flow Rate	46.88 LPM @ 3 bar
Recommended Water Pressure	0.5 Bar - 5 Bar
Material Composition Specification in Percentage	<p>"Brass Ingots as per IS:1264-1997 Cu (58.0-63.0), Sn (0.0-1.0), Pb (0.5-2.5), Ni (0.0-1.0), Al (0.2-0.8), Mn (0.0-0.5), Total Impurity (0.0-2.0), Zn (Remainder)</p> <p>Brass Rod as per IS:319-1989 Cu (56.0-59.0), Pb (2.0-3.5), Fe (0.0-0.35), Total Impurity (0.0-0.7), Zn (Remainder)</p> <p>ABS - Specific Gravity (g/cm²) - (1.06-1.10), Melt Mass Flow Rate (g/10 min.) - (20-26), Rockwell Hardness - (95-115), DTUL @ 66 psi (0.45 MPa) (0C) - (78-102"</p>
Cartridge Specification	<p>"Fittings : Components have WRAS Approved for food grade conformity with Brass Housing and Spindle Life Cycle EN 200: 200,000 cycles (Standard) - 4.0 LAC Cycles as per EN 200**"</p>
Water Tightness	12 bar (Pass)
Pressure Resistance	20 bar (Pass)
Finish	<p>"Plating: Nickel-8.0 micron Chromium-0.20 micron Salt Spray (300 hrs + Validated) Adhesion (Pass)"</p>
Available Colour Finishing	Chrome (CHR)

DISCLAIMER: Our every effort has been made to ensure factual accuracy, the information presented subject to changes due to requirements in different sites, markets and/ or countries. 10% variation in flow rate may be possible. Jaquar reserves the right to make the necessary amendments at any time without prior notice.