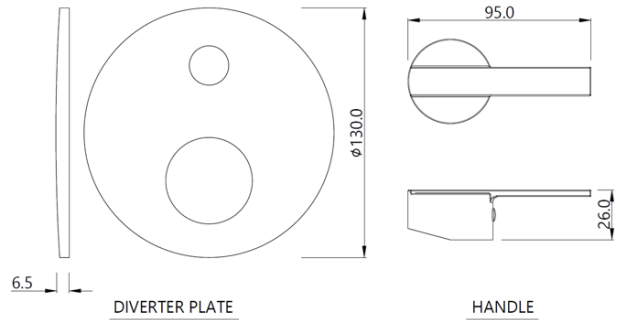


PRODUCT IMAGE



TECHNICAL DRAWING



PRODUCT DETAILS

Product Code	ORI-CHR-109055K
Description	Exposed Part Kit of Single Lever In-wall Diverter (Compatible In-wall Part ALE-055 is sold separately)
Recommended Water Pressure	0.5 Bar - 5 Bar
Material Composition Specification in Percentage	<p>"Brass Rod as per IS:319-1989 Cu (56.0-59.0), Pb (2.0-3.5), Fe (0.0-0.35), Total Impurity (0.0-0.7), Zn (Remainder)</p> <p>Brass Sheets as per IS:410-1977 Cu (61.5-64.5), Pb (0.0-0.3), Fe (0.0-0.075), Total Impurity (0.0-0.6), Zn (Remainder)</p> <p>ABS - Specific Gravity (g/cm²) - (1.06-1.10), Melt Mass Flow Rate (g/10 min.) - (20-26), Rockwell Hardness - (95-115), DTUL @ 66 psi (0.45 MPa) (OC) - (78-102</p> <p>NBR 70 - Rubber Parts"</p>
Finish	"Plating: Nickel-8.0 micron Chromium-0.20 micron Salt Spray (300 hrs + Validated) Adhesion (Pass)"
Available Colour Finishing	Chrome (CHR)

DISCLAIMER: Our every effort has been made to ensure factual accuracy, the information presented subject to changes due to requirements in different sites, markets and/ or countries. 10% variation in flow rate may be possible. Jaquar reserves the right to make the necessary amendments at any time without prior notice.