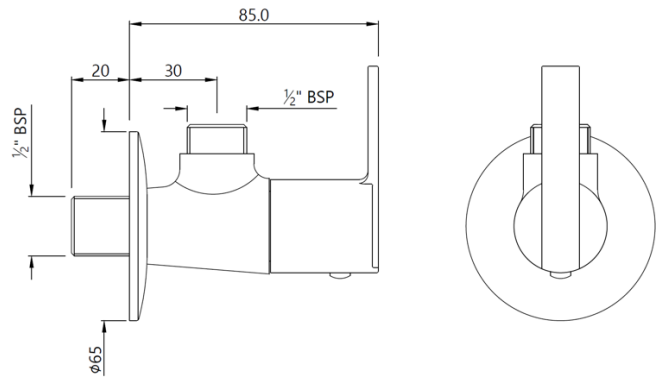


PRODUCT IMAGE



TECHNICAL DRAWING



PRODUCT DETAILS

| | |
|--|---|
| Product Code | ORI-CHR-109053 |
| Description | Angle Valve with Wall Flange |
| Flow Rate | 29.28 LPM @ 3 bar |
| Recommended Water Pressure | 0.5 Bar - 5 Bar |
| Material Composition Specification in Percentage | <p>"Brass Ingots as per IS:1264-1997 Cu (58.0-63.0), Sn (0.0-1.0), Pb (0.5-2.5), Ni (0.0-1.0), Al (0.2-0.8), Mn (0.0-0.5), Total Impurity (0.0-2.0), Zn (Remainder)</p> <p>Brass Rod as per IS:319-1989 Cu (56.0-59.0), Pb (2.0-3.5), Fe (0.0-0.35), Total Impurity (0.0-0.7), Zn (Remainder)</p> <p>Brass Sheets as per IS:410-1977 Cu (61.5-64.5), Pb (0.0-0.3), Fe (0.0-0.075), Total Impurity (0.0-0.6), Zn (Remainder)"</p> |
| Cartridge Specification | <p>"Fittings : Components have WRAS Approved for food grade conformity with Brass Housing and Spindle Life Cycle EN 200: 200,000 cycles (Standard) - 4.0 LAC Cycles as per EN 200**"</p> |
| Water Tightness | 12 bar (Pass) |
| Pressure Resistance | 20 bar (Pass) |
| Finish | <p>"Plating: Nickel-8.0 micron Chromium-0.20 micron Salt Spray (300 hrs + Validated) Adhesion (Pass)"</p> |
| Available Colour Finishing | Chrome (CHR) |

DISCLAIMER: Our every effort has been made to ensure factual accuracy, the information presented subject to changes due to requirements in different sites, markets and/ or countries. 10% variation in flow rate may be possible. Jaquar reserves the right to make the necessary amendments at any time without prior notice.