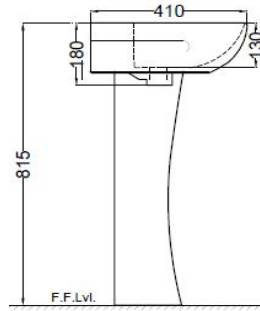
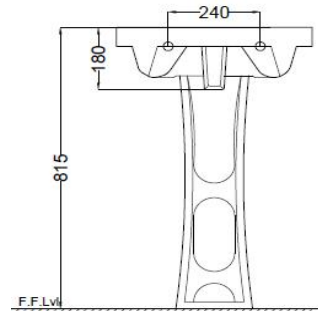


TOP VIEW



SIDE VIEW



BACK VIEW

General Information

Product Code	CMS-WHT-103803 + CMS-WHT-103301
Brand	Essco
Colour	White
Type	Wall Hung Basin with pedestal
Material	Ceramic-Vitreous China (VC)

Product Specification

Product Dimension	510x410x180 mm With pedestal 815 mm
Basin Inner Dimension	440x265x130 mm
Product Net Weight	10.5 kg.
Product Gross Weight	11.5 kg.
Packaging Dimension	440x265x140 mm
Outlet	Vertical
Tap Hole And Outlet Hole Dimension	Tap hole dia. $\varnothing 35 \pm 2$ mm
	Internal diameter of outlet hole dia. $\varnothing 45 +2/-1$ mm
	Horizontal distance between the center line of the tap hole and the center line of the waste outlet hole ≤ 120 mm
Product Features	Basin With Tap Hole, Packed with Overflow Hole Cap and Fixing Accessories Anti germ glaze. Material - Vitreous China (VC)

ACCESSORIES INCLUDED


Overflow hole cap	ZPS-WHT-9012
Basin fixing screw	ZPS-MST-RB03

ACCESSORIES RECOMMENDATION

Full Pedestal	CMS-WHT-103301
---------------	----------------

CARE AND CLEANING GUIDELINES

- Vitreous china sanitary ware products are fragile in nature and need to be handled with care (to avoid personal injury) at all times during its storage, handling, installation and use thereafter.
- The product is heavy and it is recommended that two persons hold it while it is being fixed.
- Carefully inspect the new product for damage before installation.
- Risk of product damage. Over tightening may cause breakage or chipping of vitreous china.
- Risk of external leakage. Do not lift or rock the bowl after placement.
- Always test your cleaning solution on an inconspicuous area on the product before applying it to the entire surface.
- Do not allow cleaners to sit or soak on the product.
- Use a soft, dampened sponge or cloth to clean. Never use abrasive material like a bristle brush or scouring pad.
- Wipe surfaces clean and rinse completely with water immediately after applying cleaners.
- Clean Chrome, stainless steel surfaces once a week. Do not use cleaners containing chloride on chrome, stainless steel. If used, rinse the surface immediately to prevent corrosion.
- Wherever chrome plating is used on the products, use only warm water to clean and then dry with a soft cloth.

QUALITY MANAGEMENT SYSTEM - ISO 9001  **CE**

DISCLAIMER: Our every effort has been made to ensure factual accuracy, the information presented subject to changes due to requirements in different sites, markets and/ or countries. All dimensions are in mm (Tolerance ± 5 MM). Jaquar reserves the right to make the necessary amendments at any time without prior notice.

For Installation Refer Actual Product