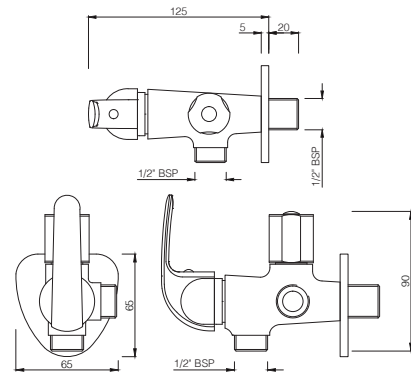


PRODUCT IMAGE



TECHNICAL DRAWING



PRODUCT DETAILS

Description	2-Way Angle Valve with Wall Flange
Product Code	ORB-CHR-105067
Connection Size (mm)	N.A
Aerator Size	N.A
Flow Rate	30.76 LPM @ 3 bar
Flow Regulator	0.5 Bar - 5 Bar
Recommended Water Pressure	0.5 Bar - 5 Bar
Material Composition Specification in Percentage	<p><b>Brass Ingots as per IS:1264-1997-</b> Cu (58.0-63.0), Sn (0.0-1.0), Pb (0.5-2.5), Ni (0.0-1.0), Al (0.2-0.8), Mn (0.0-0.5), Total Impurity (0.0-2.0), Zn (Remainder)</p> <p><b>Brass Rod as per IS:319-1989-</b> Cu (56.0-59.0), Pb (2.0-3.5), Fe (0.0-0.35), Total Impurity (0.0-0.7), Zn (Remainder)</p> <p><b>Brass Sheets as per IS:410-1977-</b> Cu (61.5-64.5), Pb (0.0-0.3), Fe (0.0-0.075), Total Impurity (0.0-0.6), Zn (Remainder)</p>
Cartridge Specification	<p><b>Fittings:</b> Components have WRAS Approved for food grade conformity with Brass Housing and Spindle Life Cycle EN 200: 200,000 cycles (Standard), -4.0 LAC Cycles as per EN 200*</p>
Water Tightness	12 bar (Pass)
Pressure Resistance	20 bar (pass)
Finish	<b>Plating:</b> Nickel-8.0 micron Chromium-0.20 micron, Salt Spray (300 hrs+Validated), Adhesion (Pass)
Available Colour Finishing	Chrome (CHR)