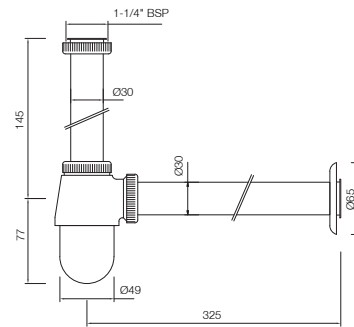


PRODUCT IMAGE **TECHNICAL DRAWING**



PRODUCT DETAILS

Description	Bottle Trap with 300mm & 125mm Long Wall Connection Pipes
Product Code	ALE-CHR-773ML300X125
Connection Size (mm)	N.A
Aerator Size	N.A
Flow Rate	N.A
Flow Regulator	N.A
Recommended Water Pressure	N.A
Material Composition Specification in Percentage	<p>Brass Ingots as per IS:1264-1997- Cu (58.0-63.0), Sn (0.0-1.0), Pb (0.5-2.5), Ni (0.0-1.0), Al (0.2-0.8), Mn (0.0-0.5), Total Impurity (0.0-2.0), Zn (Remainder)</p> <p>Brass Sheets as per IS:410-1977- Cu (61.5-64.5), Pb (0.0-0.3), Fe (0.0-0.075), Total Impurity (0.0-0.6), Zn (Remainder)</p> <p>ABS - Specific Gravity (g/cm²)-(1.06-1.10), Melt Mass Flow Rate (g/10 min.) - (20-26), Rockwell Hardness-(95-115), DTUL @ 66 psi (0.45 MPa) (OC)- 78-102</p>
Cartridge Specification	N.A
Water Tightness	N.A
Pressure Resistance	N.A
Finish	Plating: Nickel-8.0 micron Chromium-0.20 micron, Salt Spray (300 hrs+Validated), Adhesion (Pass)
Available Colour Finishing	Chrome (CHR)

DISCLAIMER: Our every effort has been made to ensure factual accuracy, the information presented subject to changes due to requirements in different sites, markets and/ or countries.110% variation in flow rate may be possible. Jaquar reserves the right to make the necessary amendments at any time without prior notice.