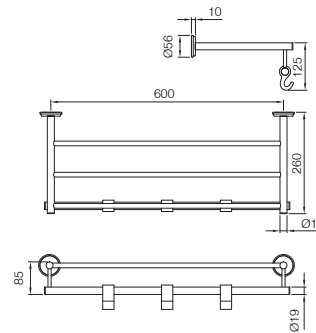


PRODUCT IMAGE



TECHNICAL DRAWING



PRODUCT DETAILS

Description	Towel Shelf 600 mm long with Lower Hangers, Stainless Steel
Product Code	AEC-CHR-1181N
Connection Size (mm)	N.A
Aerator Size	N.A
Flow Rate	N.A
Flow Regulator	N.A
Recommended Water Pressure	N.A
Material Composition Specification in Percentage	<p><b>Brass Forgings-</b> Cu (56.5 - 60.0), Pb (0.6 - 2.0), Fe (0.30 Max), Total Impurities excl.Fe (0.75 Max), Zn (Remainder)</p> <p><b>Brass Rod as per IS:319-1989-</b> Cu (56.0-59.0), Pb (2.0-3.5), Fe (0.0-0.35), Total Impurity (0.0-0.7), Zn (Remainder)</p> <p><b>Brass Sheets as per IS:410-1977-</b> Cu (61.5-64.5), Pb (0.0-0.3), Fe (0.0-0.075), Total Impurity (0.0-0.6), Zn (Remainder)</p> <p><b>S.S Pipe AISI:304-</b> Ni (8.0-11.0), Ch (18.0-20.0), Mn (0.0-0.2), Ca (0.0-0.08), Fe (Remainder)</p> <p><b>Zamak-3-</b> Cu (0.25 Max), Al (3.5 - 4.3), Mg (0.02 - 0.05), Zn (Remainder)</p>
Cartridge Specification	N.A
Water Tightness	N.A
Pressure Resistance	N.A
Finish	<b>Plating:</b> Nickel-8.0 micron Chromium-0.20 micron, Salt Spray (300 hrs+Validated), Adhesion (Pass)
Available Colour Finishing	Chrome (CHR)

DISCLAIMER: Our every effort has been made to ensure factual accuracy, the information presented subject to changes due to requirements in different sites, markets and/ or countries.110% variation in flow rate may be possible. Jaquar reserves the right to make the necessary amendments at any time without prior notice.