





**Global Headquarters**

*Net Zero Building spread over 48000 sq. m.*



## 60 Years of the Jaquar Group

Conceived in 1960, the Jaquar Group has been built on the platform of the highest quality standards, aesthetics and the intent of providing world-class products. It is a rapidly growing multi-diversified 'Complete Bathroom and Lighting Solutions' group. The Group caters to various segments of bathroom and lighting industry for the luxury, premium, and the value segments through its brands – Artize, Jaquar and Essco. The company has presence in over 60 countries across Europe, Middle East, Asia- Pacific, Africa and the SAARC region, with 7 state-of-the-art manufacturing units in India and 1 in South Korea.

Artize

Jaquar | BATH + LIGHT

ESSCO  
BY Jaquar GROUP



## ESSCO by Jaquar Group

For six decades, Essco, the bath fittings brand, has been synonymous with affordability and sustainability. A great value-for-money brand, Essco is an offering from Jaquar Group – a leading name in complete bathroom solutions. Essco is a pioneer in branded bath fittings that offers good quality, affordable pricing, impeccable customer service and a 10-year warranty promise. This has made Essco a leader in its category of bath fittings since 1960. The Essco story is all about helping customers realise their ambitions of a better quality of life through better sanitation. As a result, affordability was the key in designing and delivering a product that was not only functional but also promised great aesthetics at an easy-to-own price. Essco believes in the power of dreams and has aligned its business practices towards the same. Essco complements the needs of sustainable housing, an approach that remains embedded in its brand ethos. Today, Essco provides the best option and opportunity to shift the unorganised or non-standard quality segment to standard quality products.









## Inspiring bathrooms by Essco

Planning a bathroom is no more an afterthought. No matter how big or small the space is, everyone desires an inviting bathroom. Today, Essco offers complete bathroom solutions, covering a wide range of design options in bath fittings, sanitaryware, water heater and bathroom accessories to give you inspiring bathrooms.





## State-of-the-art manufacturing

Essco enjoys Jaquar Group's manufacturing strength with 7 state-of-the-art manufacturing units in India & 1 in South Korea, spread over 3,30,000 sq. m, equipped with modern machines and processes. Adhering to global quality certification, Jaquar Group's manufacturing setup is a zero-waste plant recycling 5,00,000 litres of water every day, and 4221 Metric tonnes of brass every year. Its facilities also generate 6.23 MW of solar energy.

- Delivers over 125,000 faucets per day, 45 million pieces in a year.
- Delivers over 2.4 million bathrooms every year, and produces over 28 million bath fittings annually.



# I N D E X

ORBIT	08
ASPIRE	20
COSMO	36
MARVEL	52
TROPICAL	64
SHOWERS	76
ALLIED	82
ACCESSORIES	91
ELEMENTS	96
BOWLS	104
SEAT COVERS	105
FLUSHING SYSTEMS	106
WATER HEATERS	108
ESSCO CARE	110
FEATURES	112





**Let your refreshing mood ORBIT the space like magic.**

The Orbit is a blend of truly unique features and world-class aesthetics. This new smart range of Essco comprises of single lever faucets with straight geometrical lines & bold looks, and high-quality sanitaryware products that complement your bathrooms' minimalist, modern aesthetics.

# ORBIT



# ORBIT

SINGLE LEVER



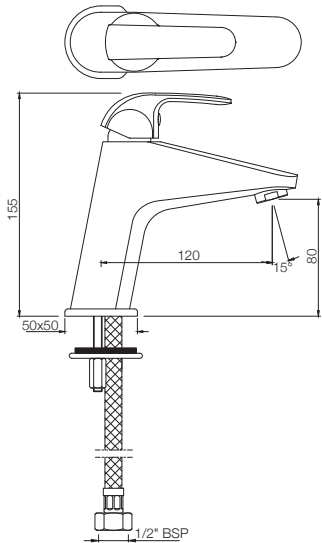


# ORBIT

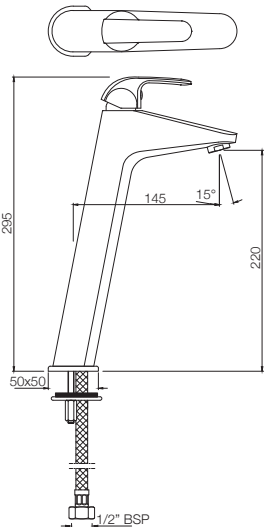
## BASIN | Single Lever



**ORB-105011B**  
Single Lever Basin Mixer without Pop-up Waste,  
with 375mm Long Braided Hoses



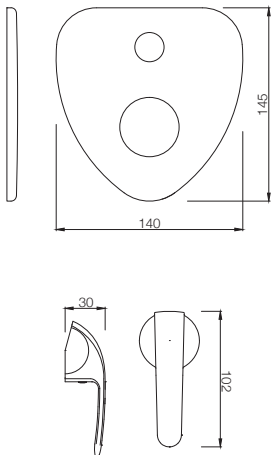
**ORB-105005B**  
Single Lever High Neck Basin Mixer without Pop-up Waste,  
with 600mm Long Braided Hoses



## BATH & SHOWER



**ORB-105055K**  
Exposed Part Kit of Single Lever In-wall Diverter  
(Suitable For Item ALE-055)

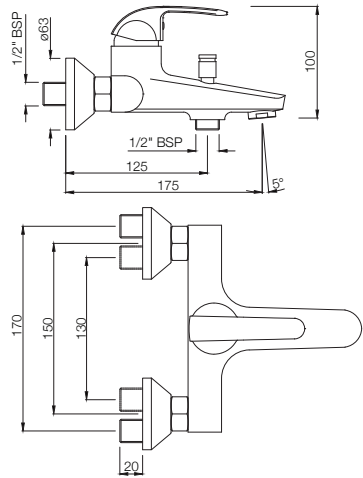


# ORBIT

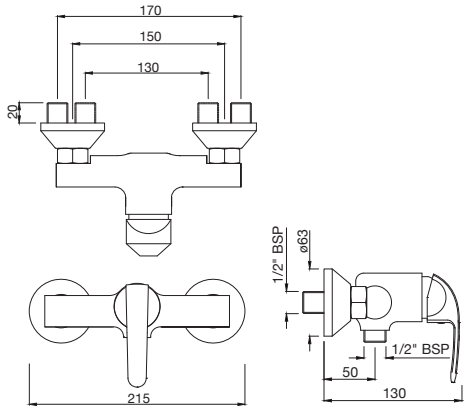
## BATH & SHOWER



**ORB-105119**  
Single Lever Bath & Shower Mixer, Wall Mounted



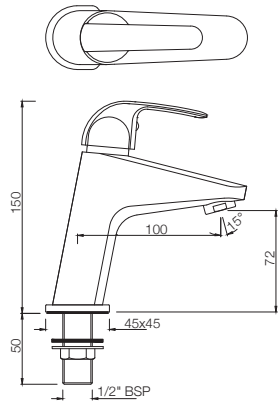
**ORB-105149**  
Single Lever Shower Mixer, Wall Mounted



## BASIN | Quarter Turn



**ORB-105001N**  
Basin Tap 1/2 Inch



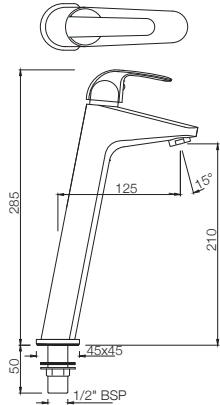


# ORBIT

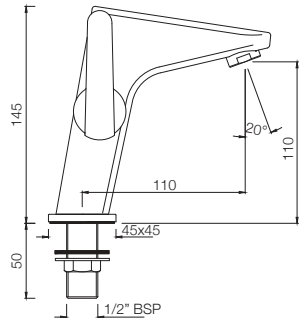
## BASIN



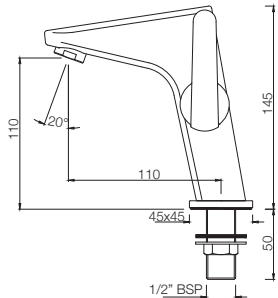
**ORB-105021N**  
High Neck Basin Tap



**ORB-105123**  
Basin Tap with Left Hand  
Operating Knob



**ORB-105127**  
Basin Tap with Right Hand  
Operating Knob

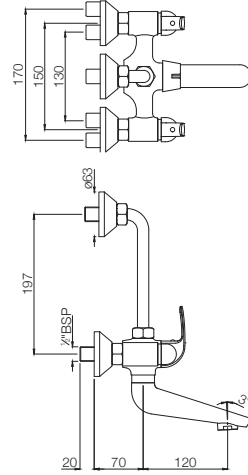


# ORBIT

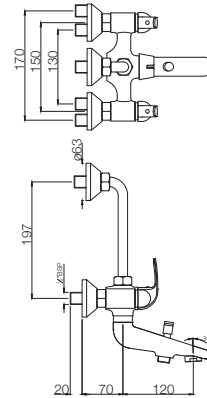
## BATH & SHOWER



**ORB-105273**  
Bath and shower mixer with provision for Overhead shower with 115mm Long Bend Pipe on Upper Side



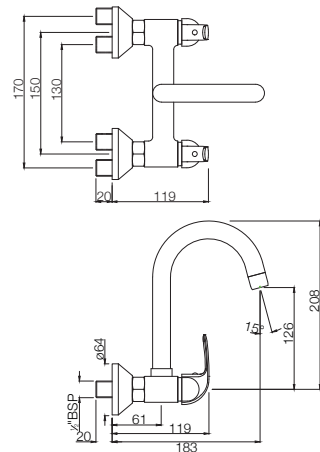
**ORB-105281**  
Bath & Shower Mixer 3-in-1 System with Provision for Hand Shower & Overhead Shower Complete with 115mm Long Bend Pipe, Wall Mounted



## KITCHEN



**ORB-105309**  
Sink Mixer with Swivel Spout, Wall Mounted

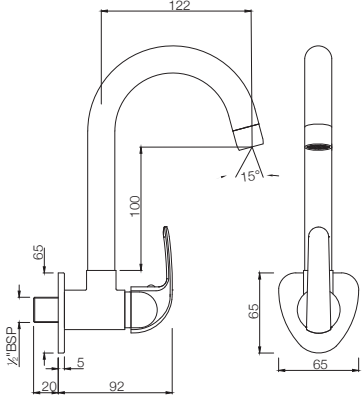


# ORBIT

## KITCHEN



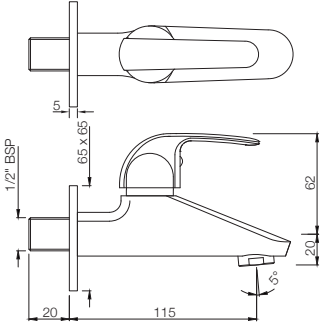
**ORB-105347**  
Sink Tap with Swivel Spout



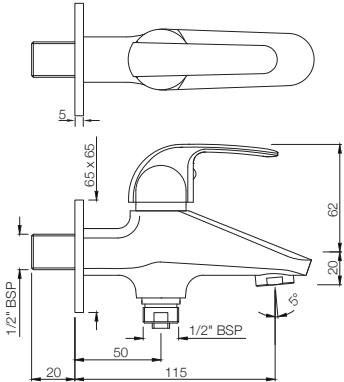
## TAPS



**ORB-105037**  
Bib Tap with Wall Flange



**ORB-105041**  
2-Way Bib Tap with Wall Flange

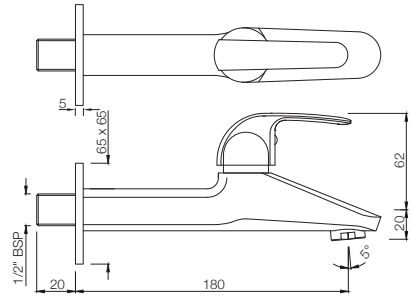


# ORBIT

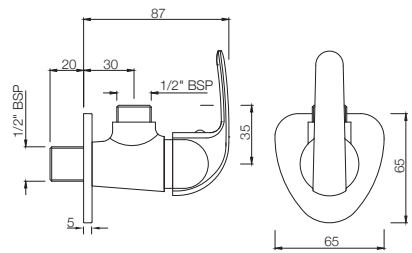
## TAPS



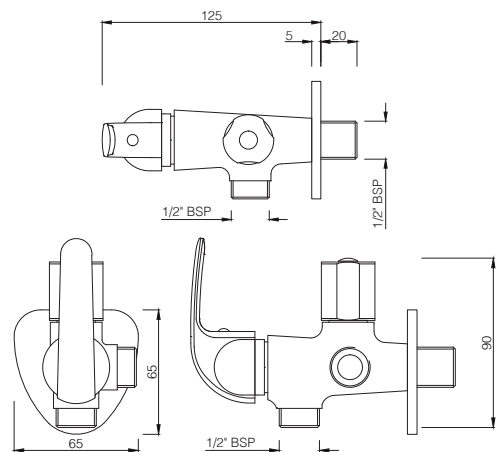
**ORB-105107**  
Bib Tap Long Body with Wall Flange



**ORB-105053**  
Angle Valve with Wall Flange



**ORB-105067**  
2-Way Angle Valve with Wall Flange

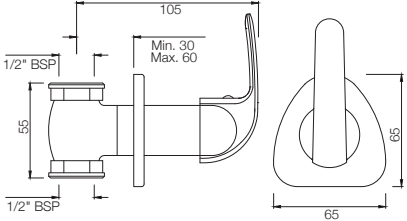


# ORBIT

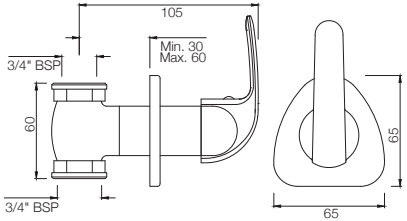
## TAPS



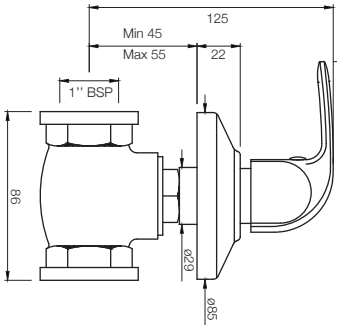
**ORB-105069**  
In-wall Stop Valve, Reduced Body  
with Adjustable Wall Flange, Size 15mm



**ORB-105099**  
In-wall Stop Valve, Reduced Body  
with Adjustable Wall Flange, Size 20mm



**ORB-105081**  
In-wall Flush Valve with Wall Flange,  
Size 25 mm



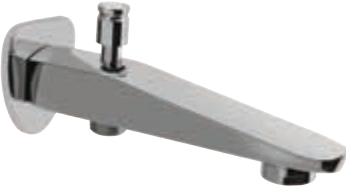
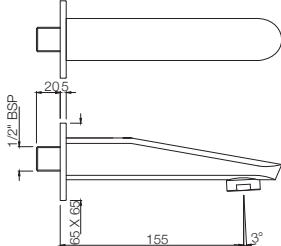


# ORBIT

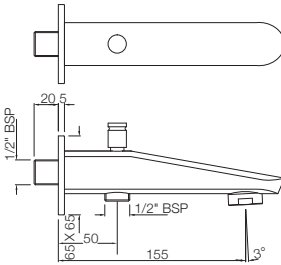
## BATH TUB SPOUT



**SPE-105429**  
Orbit Bath Spout with Wall Flange



**SPE-105463**  
Orbit Bath Spout with Diverter & Wall Flange





# ASPIRE



**ASPIRE elegance that redefine your bathroom space.**

The range is designed to meet specific bathroom needs. Single lever faucets with bold looks, cylindrical design, stylish straight lines, glossy curves, and sanitaryware products of dynamic shapes and sizes are crafted to perfection for a rejuvenating experience.



# ASPIRE

SINGLE LEVER



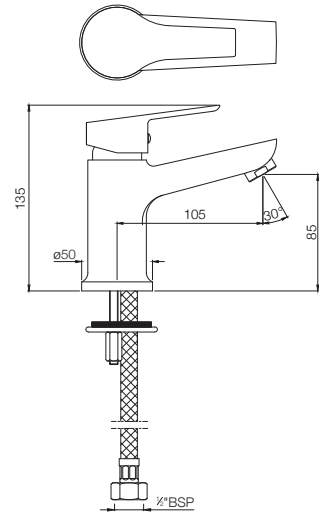


# ASPIRE

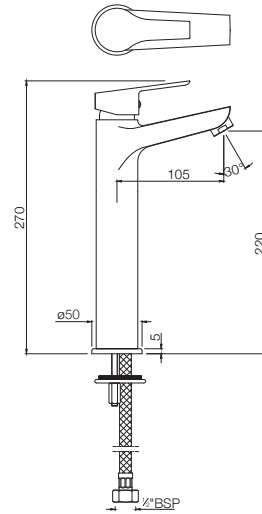
## BASIN | Single Lever



**APR-101011NB**  
Single Lever Basin Mixer without Pop-up Waste,  
with 375mm Long Braided Hoses



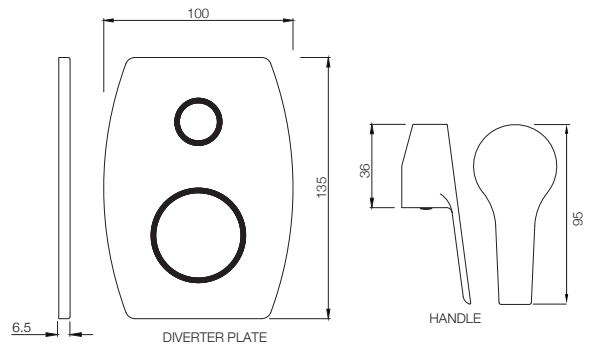
**APR-101005NB**  
Single Lever High Neck Basin Mixer  
without Pop-up Waste, with 600mm  
Long Braided Hoses



## BATH & SHOWER



**APR-101055NK**  
Exposed Part Kit of Single Lever In-wall Diverter  
(Suitable For Item ALE-055)

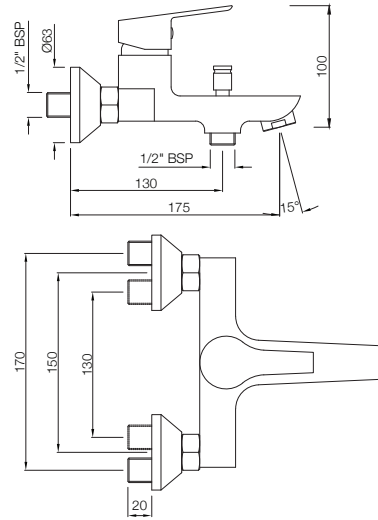


# ASPIRE

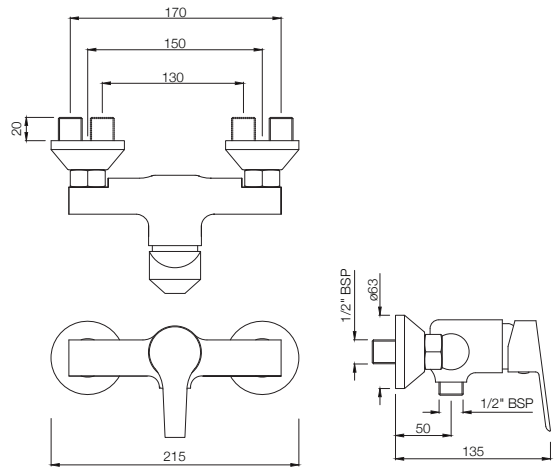
## BATH & SHOWER



**APR-101119**  
Single Lever Bath & Shower Mixer,  
Wall Mounted



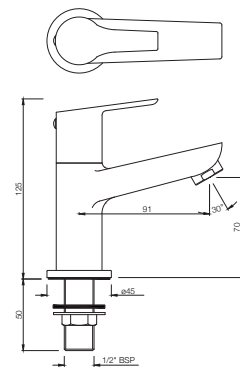
**APR-101149**  
Single Lever Shower Mixer,  
Wall Mounted



## BASIN | Quarter Turn



**APR-101001M**  
Basin Tap 1/2 Inch

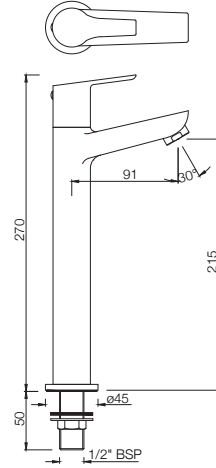


# ASPIRE

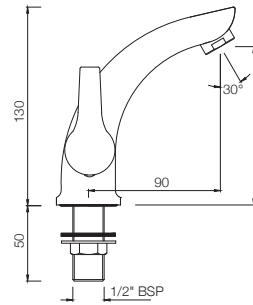
## BASIN



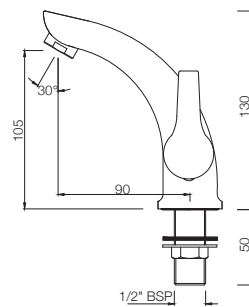
**APR-101021M**  
High Neck Basin Tap



**APR-101123**  
Basin Tap with Left Hand Operating Knob



**APR-101127**  
Basin Tap with Right Hand Operating Knob

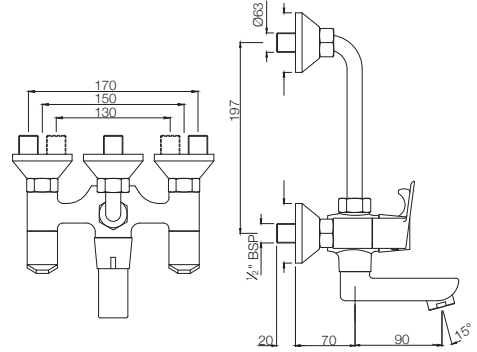


# ASPIRE

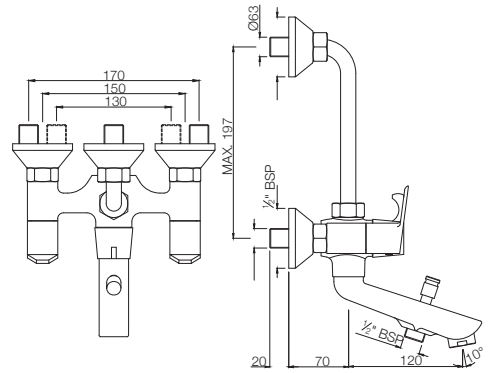
## BATH & SHOWER



**APR-101273**  
Bath and Shower Mixer with provision for Overhead Shower with 115mm Long Bend Pipe on Upper Side



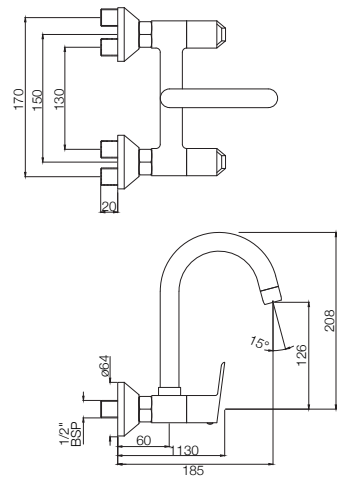
**APR-101281**  
Bath & Shower Mixer 3-in-1 System with Provision for Hand Shower & Overhead Shower Complete with 115mm Long Bend Pipe, Wall Mounted



## KITCHEN



**APR-101309N**  
Sink Mixer with Swivel Spout, Wall Mounted

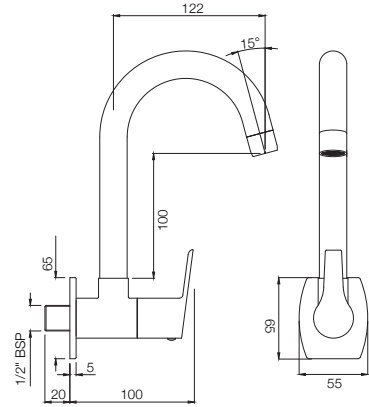


# ASPIRE

## KITCHEN



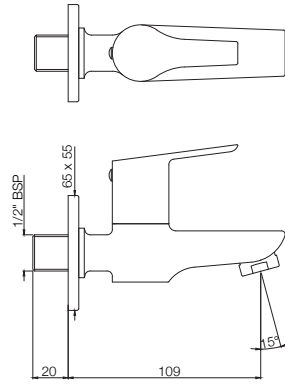
**APR-101347N**  
Sink Tap with Swivel Spout



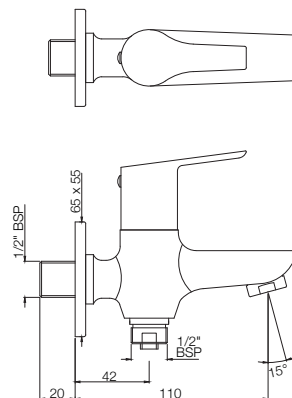
## TAPS



**APR-101037**  
Bib Tap with Wall Flange



**APR-101041**  
2-Way Bib Tap with Wall Flange



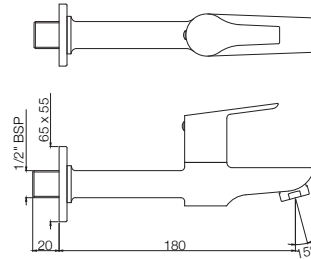


# ASPIRE

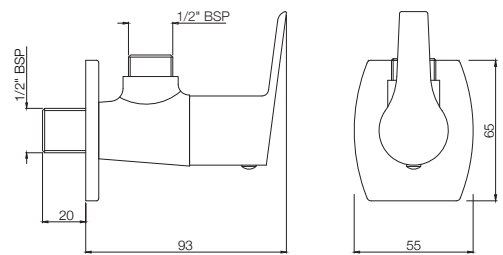
## TAPS



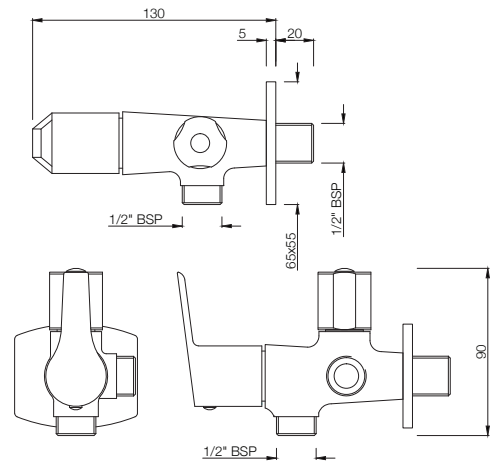
**APR-101107**  
Bib Tap Long Body with Wall Flange



**APR-101053**  
Angle Valve with Wall Flange



**APR-101067**  
2-Way Angle Valve with Wall Flange

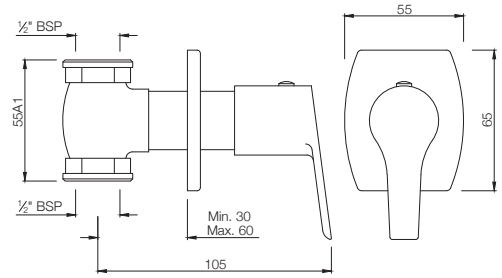


# ASPIRE

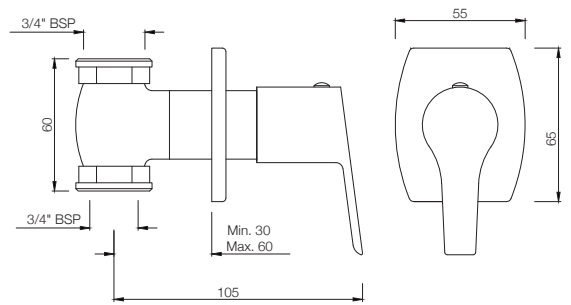
## TAPS



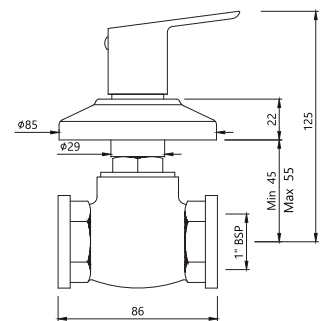
**APR-101069**  
In-wall Stop Valve, Reduced  
Body with Adjustable Wall Flange,  
Size 15mm



**APR-101099**  
In-wall Stop Valve, Reduced  
Body with Adjustable Wall Flange,  
Size 20mm



**APR-101081**  
In-wall Flush Valve with Wall Flange,  
Size 25 mm

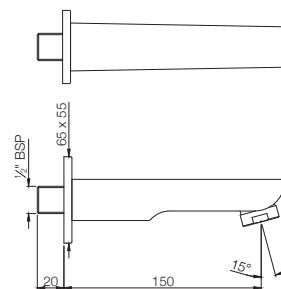


# ASPIRE

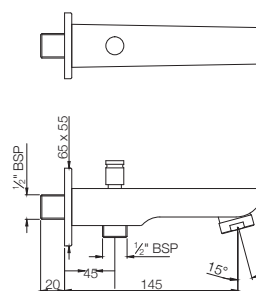
## BATH TUB SPOUT



**SPE-101429**  
Aspire Bath Spout  
with Wall Flange



**SPE-101463**  
Aspire Bath Spout with  
Diverter & Wall Flange





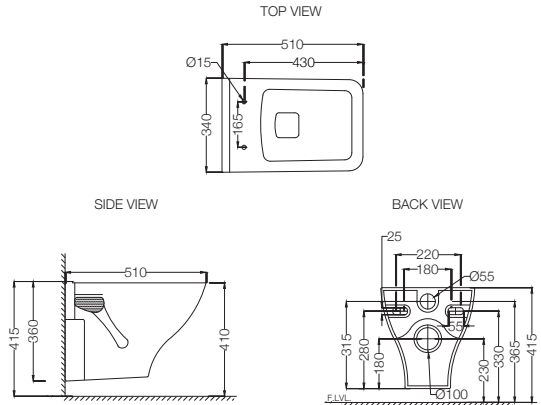
# ASPIRE

SANITARYWARE

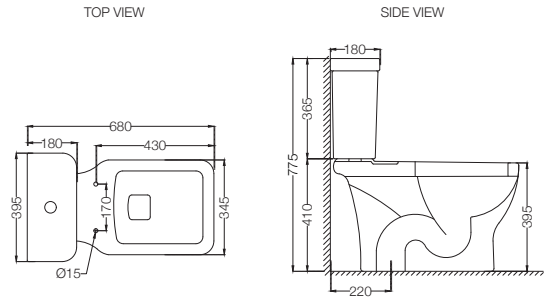




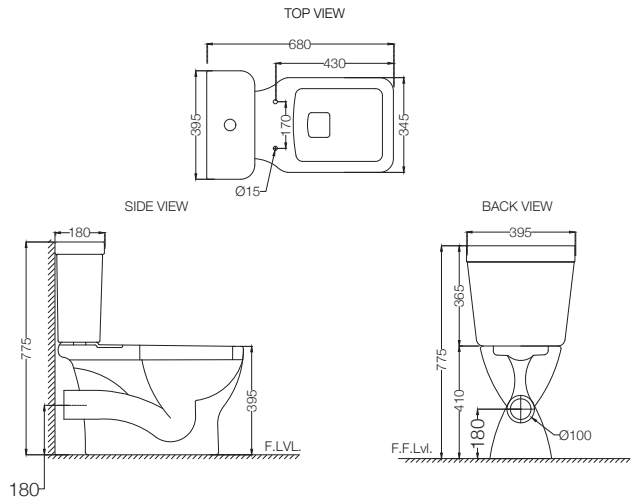
**AIS-WHT-101951SPPSM**  
 Wall Hung WC With  
 PP Soft Close Slim Seat Cover,  
 Hinges, Accessories Set,  
 Size: 340x510x360 mm



**AIS-WHT-101751S220SPPSMZ**  
 Bowl With Cistern For Coupled WC  
 With PP Soft Close Slim Seat Cover,  
 Hinges, Dual Flush Cistern Fitting,  
 Fixing Accessories and Accessories Set,  
 Size: 395x680x775 mm, S Trap- 220 mm



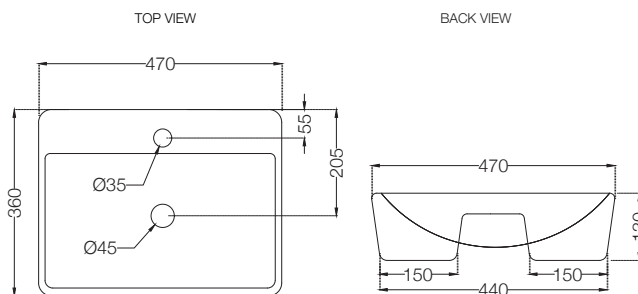
**AIS-WHT-101751P180SPPSMZ**  
 Bowl With Cistern For Coupled WC  
 With PP Soft Close Slim Seat Cover,  
 Hinges, Dual Flush Cistern Fitting,  
 Fixing Accessories And Accessories  
 Set, Size: 395x680x775 mm, P Trap-180 mm



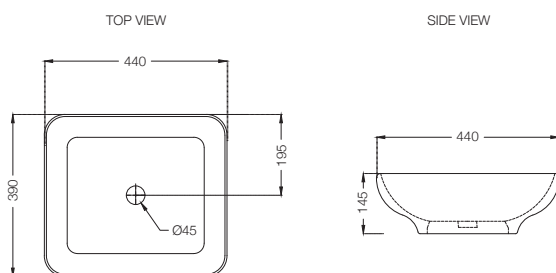




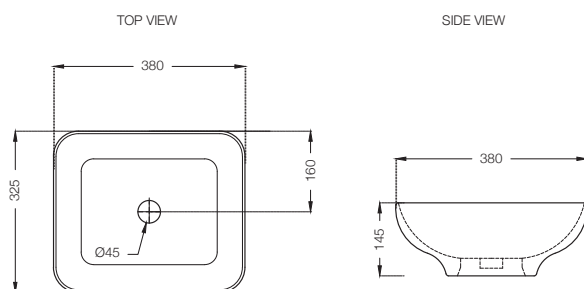
**AIS-WHT-101901**  
Table Top Basin,  
Size: 470x360x130



**AIS-WHT-101903**  
Table Top Basin,  
Size: 440x390x145 mm



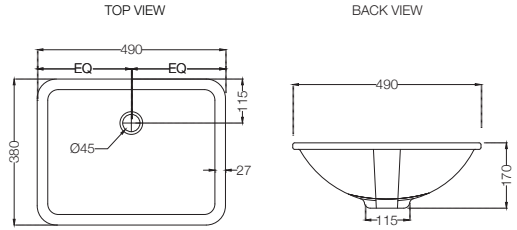
**AIS-WHT-101905**  
Table Top Basin,  
Size: 380x325x145 mm





**AIS-WHT-101701**

Under Counter Basin With Fixing Accessories,  
Size: 490x380x170 mm, Shape-Rectangular  
MRP: Rs. 1,790

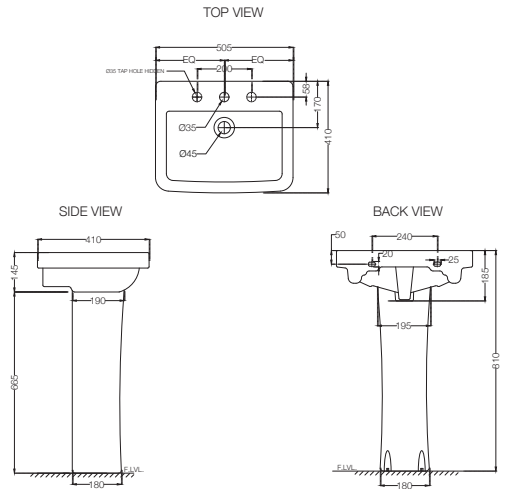


**AIS-WHT-101801**

Wall Hung Basin With Fixing Accessories,  
Size: 505x410x185 mm

**AIS-WHT-101301**

Full Pedestal For AIS-WHT-101801

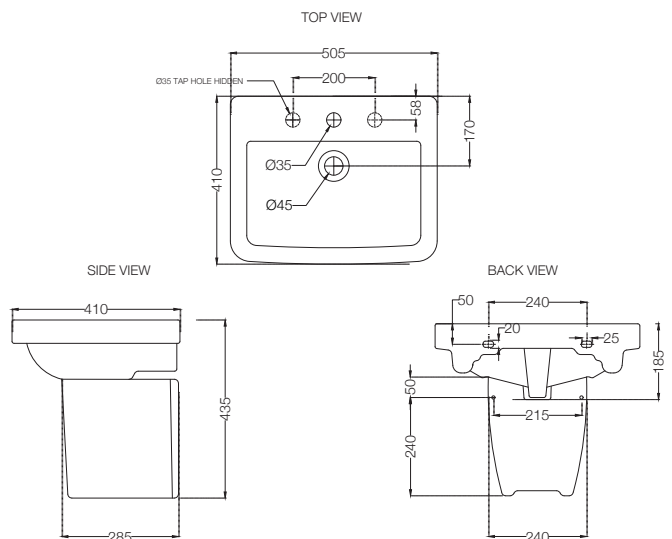


**AIS-WHT-101801**

Wall Hung Basin With Fixing Accessories,  
Size: 505x410x185 mm

**AIS-WHT-101305**

Half Pedestal With Fixing Accessories  
For AIS-WHT- 101801







# COSMO



## **Get your COSMO connection.**

The exquisitely designed range of cylindrical, curvy, single lever faucets and sanitaryware offer superior functionality. The range glams up your bathroom space with elegant styles. Cosmo's powerful performance with ease of operation is a sheer delight for the user.

# COSMO

SINGLE LEVER

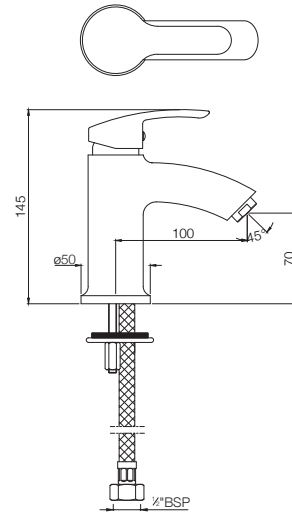


# COSMO

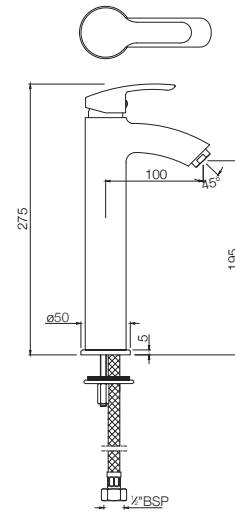
## BASIN | Single Lever



**COS-103011NB**  
Single Lever Basin Mixer without Pop-up Waste, with 375mm Long Braided Hoses



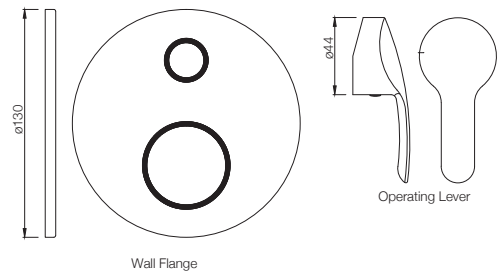
**COS-103005NB**  
Single Lever High Neck Basin Mixer without Pop-up Waste, with 600mm Long Braided Hoses



## BATH & SHOWER



**COS-103055NK**  
Exposed Part Kit of Single Lever In-wall Diverter (Suitable For Item ALE-055)



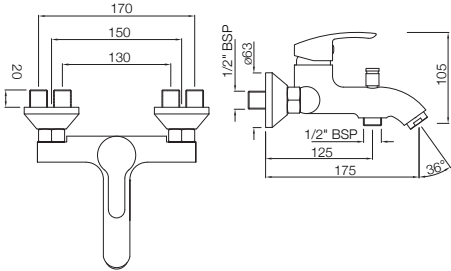


# COSMO

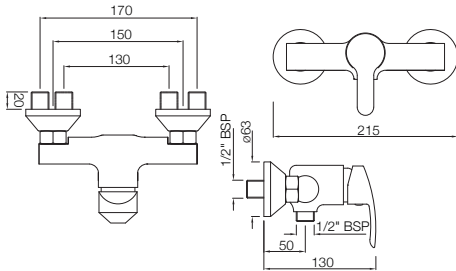
## BATH & SHOWER



**COS-103119**  
Single Lever Bath & Shower Mixer,  
Wall Mounted



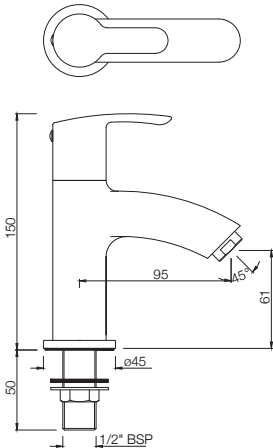
**COS-103149**  
Single Lever Shower Mixer, Wall Mounted



## BASIN | Quarter Turn



**COS-103001M**  
Basin Tap 1/2 Inch

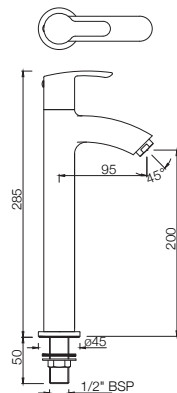


# COSMO

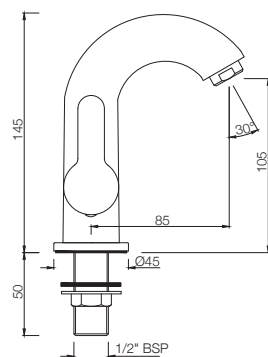
## BASIN



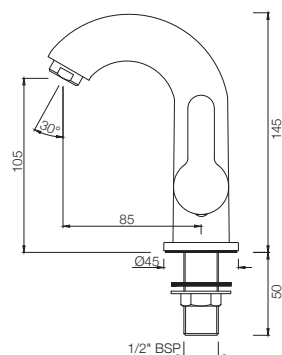
**COS-103021M**  
High Neck Basin Tap



**COS-103123**  
Basin Tap with Left Hand Operating Knob



**COS-103127**  
Basin Tap with Right Hand Operating Knob

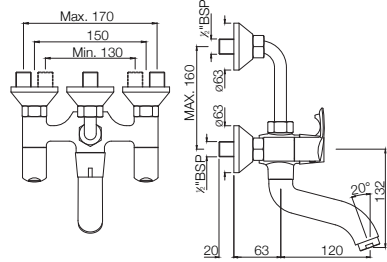


# COSMO

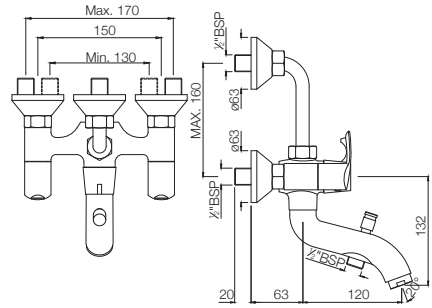
## BATH & SHOWER



**COS-103273**  
Bath and Shower Mixer with provision for Overhead Shower with 115mm Long Bend Pipe on Upper Side



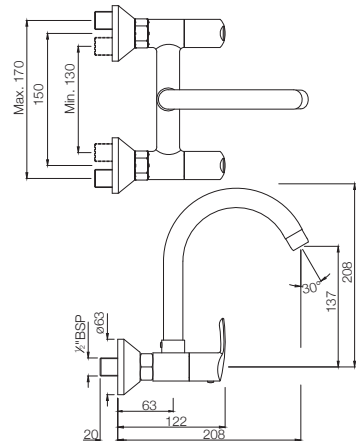
**COS-103281**  
Bath & Shower Mixer 3-in-1 System with Provision for Hand Shower & Overhead Shower Complete with 115mm Long Bend Pipe, Wall Mounted



## KITCHEN



**COS-103309N**  
Sink Mixer with Swivel Spout, Wall Mounted

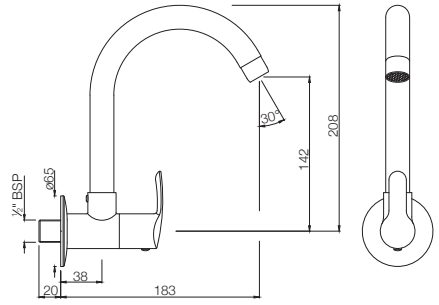


# COSMO

## KITCHEN



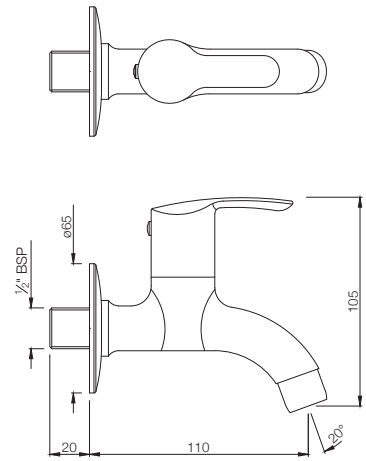
**COS-103347N**  
Sink Tap with Swivel Spout



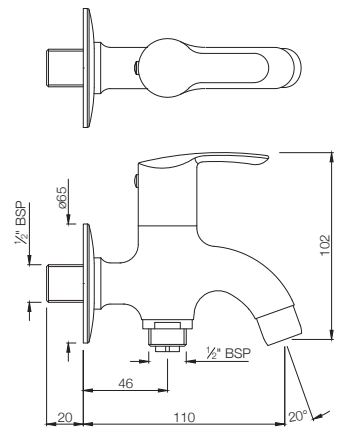
## TAPS



**COS-103037**  
Bib Tap with Wall Flange



**COS-103041**  
2-Way Bib Tap with Wall Flange

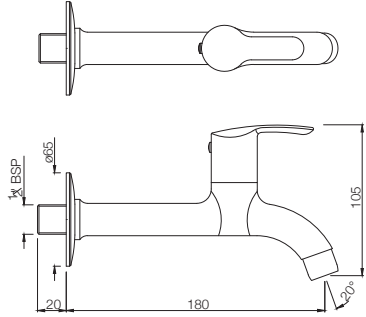


# COSMO

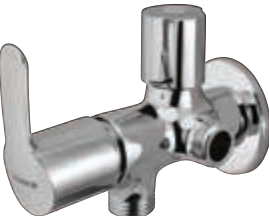
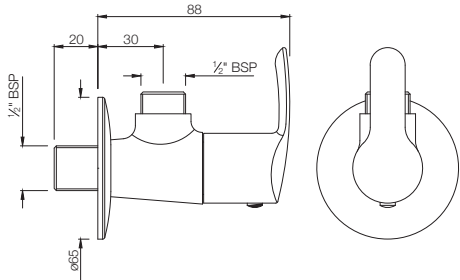
## TAPS



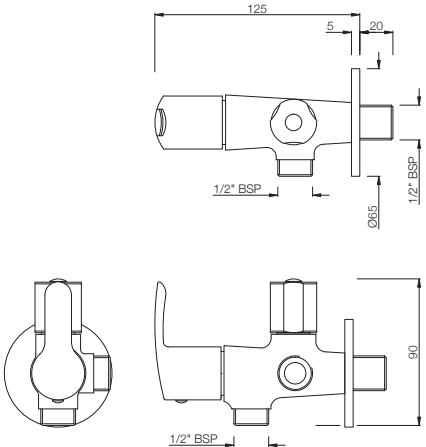
**COS-103107**  
Bib Tap Long Body with Wall Flange



**COS-103053**  
Angle Valve with Wall Flange



**COS-103067**  
2-Way Angle Valve with Wall Flange

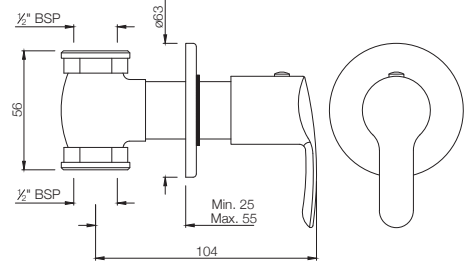


# COSMO

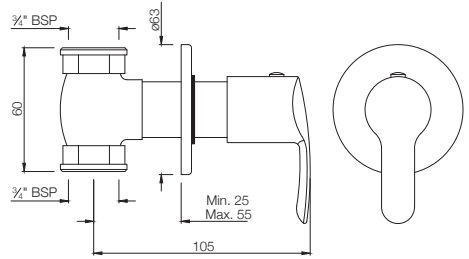
## TAPS



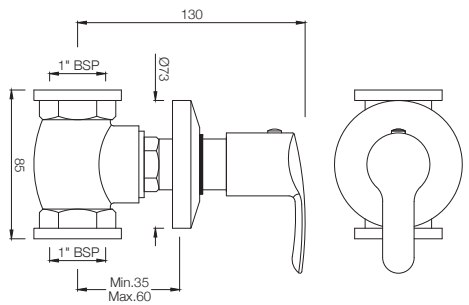
**COS-103069**  
In-wall Stop Valve, Reduced Body  
with Adjustable Wall Flange,  
Size 15mm



**COS-103099**  
In-wall Stop Valve, Reduced Body  
with Adjustable Wall Flange,  
Size 20mm



**COS-103081**  
In-wall Flush Valve with Wall Flange,  
Size 25 mm



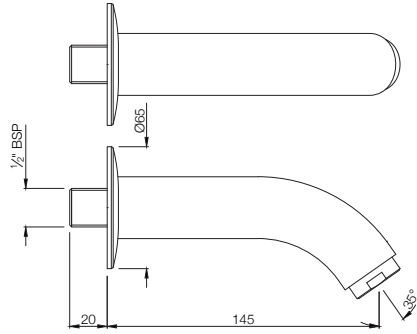


# COSMO

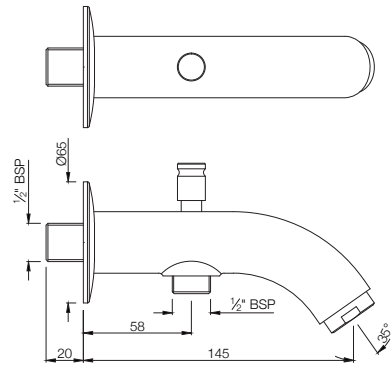
## BATH TUB SPOUT



**SPE-103429**  
Cosmo Bath Spout with Wall Flange



**SPE-103463**  
Cosmo Bath Spout with Diverter  
& Wall Flange





# COSMO

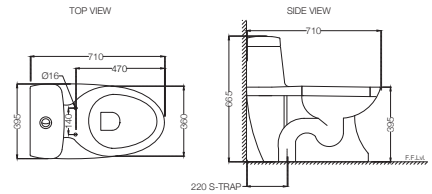
SANITARYWARE





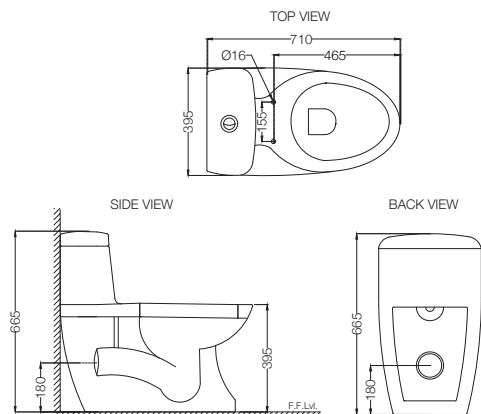
**CMS-WHT-103851S220SPP**

Single Piece WC With PP Soft Close Seat Cover, Hinges, Dual Flush Cistern Fitting, Fixing Accessories And Accessories Set, Size: 395x710x665 mm, S Trap- 220 mm



**CMS-WHT-103851P180SPP**

Single Piece WC With PP Soft Close Seat Cover, Hinges, Dual Flush Cistern Fitting, Fixing Accessories, Size: 395x710x665 mm, P Trap- 180 mm

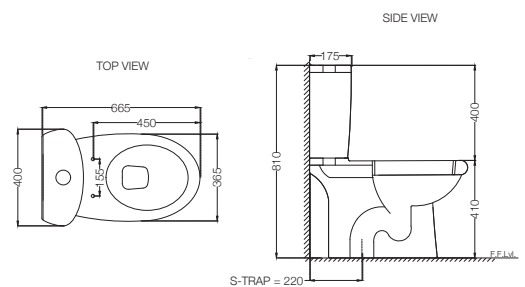


**CMS-WHT-103751S220SPP**

Bowl For Coupled WC With PP Soft Close Seat Cover, Hinges, Fixing Accessories And Accessories Set, Size: 400x665x810 mm, S Trap- 220 mm

**CMS-WHT-103201**

Cistern With Dual Flush Cistern Fitting  
For 103751S220SPP/ NPP, 103751P180NPP/ SPP



# COSMO | Sanitaryware

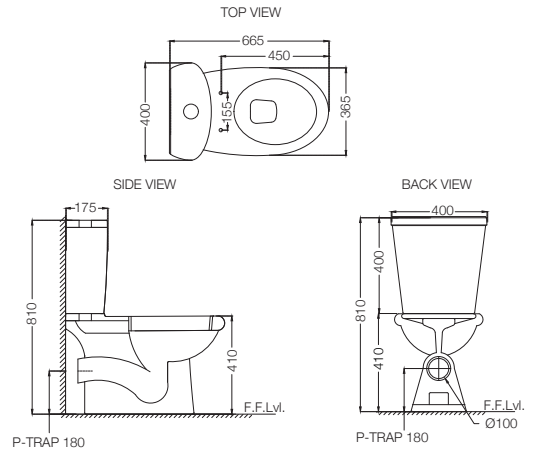


**CMS-WHT-103751P180SPP**

Bowl For Coupled WC With PP Soft Close Seat Cover, Hinges, Fixing Accessories And Accessories Set, Size: 400x665x810 mm, P Trap - 180 mm

**CMS-WHT-103201**

Cistern With Dual Flush Cistern Fitting For 103751S220SPP / NPP, 103751P180NPP/ SPP

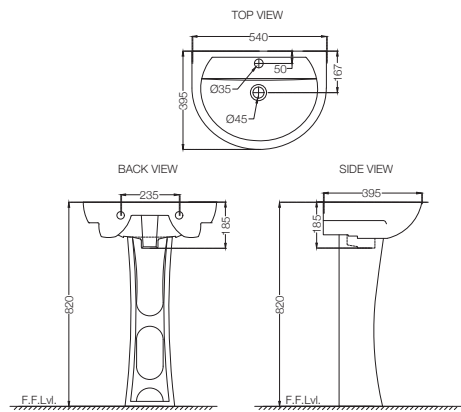


**CMS-WHT-103801**

Wall Hung Basin With Fixing Accessories, Size: 540x395x185 mm

**CMS-WHT-103301**

Full Pedestal For 103801, 103803

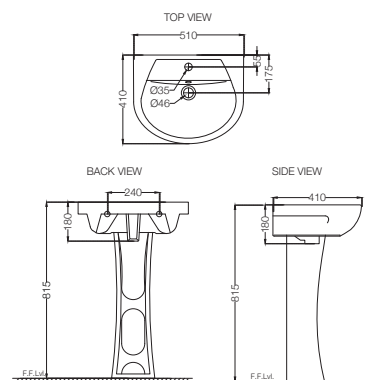


**CMS-WHT-103803**

Wall Hung Basin With Fixing Accessories, Size: 510x410x180 mm

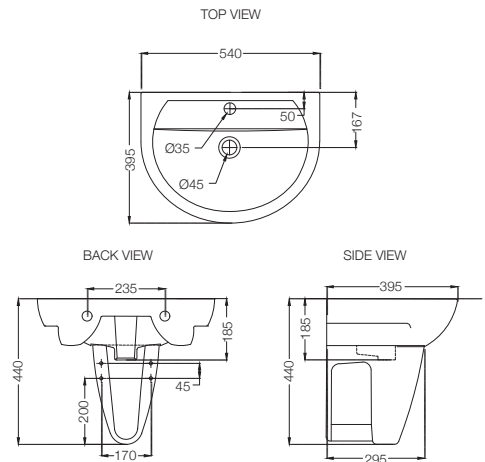
**CMS-WHT-103301**

Full Pedestal For 103801, 103803

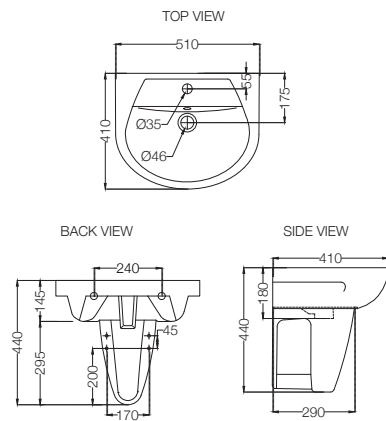




**CMS-WHT-103801**  
 Wall Hung Basin With Fixing Accessories,  
 Size: 540x395x185 mm  
**CMS-WHT-103305**  
 Half Pedestal With Fixing Accessories  
 For 103801, 103803



**CMS-WHT-103803**  
 Wall Hung Basin With Fixing Accessories,  
 Size: 510x410x180 mm  
**CMS-WHT-103305**  
 Half Pedestal With Fixing Accessories  
 For 103801, 103803







# MARVEL

## QUARTER TURN



### **MARVEL at your bathroom spaces.**

A glimpse of flawless organic shaped products with a touch of modernity is the core of the Marvel range by Essco. Choose from the range of quarter turn faucets with ease of operation and style of contemporary designs.

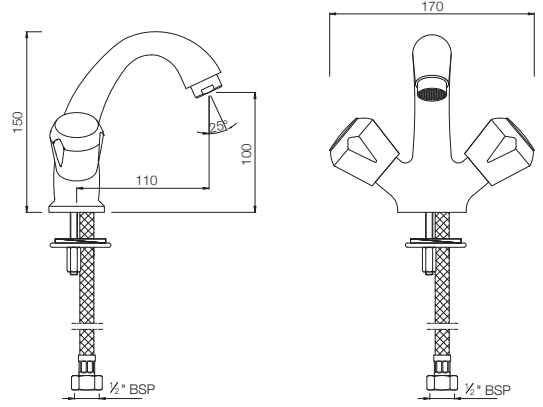
# MARVEL

## BASIN | Quarter Turn



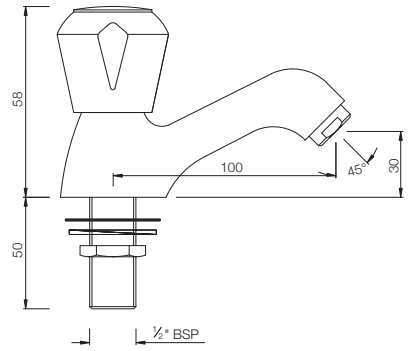
**MQT-516AKN**

Monoblock Basin Mixer with  
'U' Shape Round Casted Spout  
& 375mm Long Braided Hoses



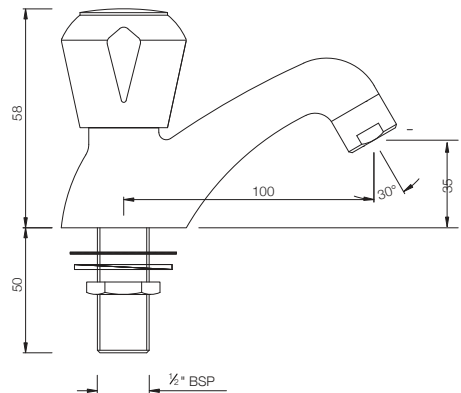
**MQT-507KN**

Basin Tap 1/2 Inch



**MQT-508KN**

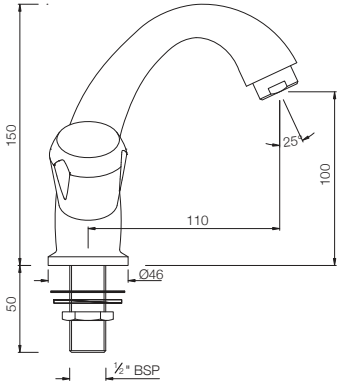
Basin Tap 1/2 Inch Super Deluxe



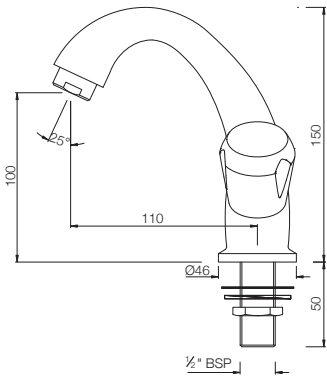
# MARVEL



**MQT-510KN**  
Basin Tap with Left Hand Operating Knob



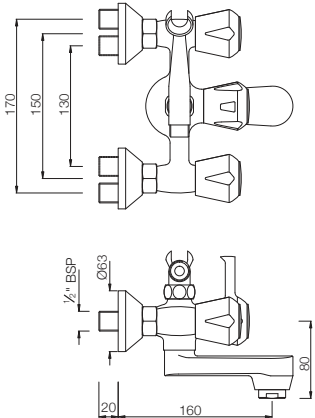
**MQT-510AKN**  
Basin Tap with Right Hand Operating Knob



## BATH & SHOWER



**MQT-517KN**  
Bath & Shower Mixer with Telephone  
Shower Crutch, Wall Mounted

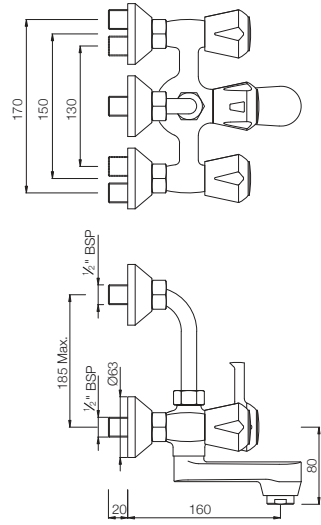


# MARVEL

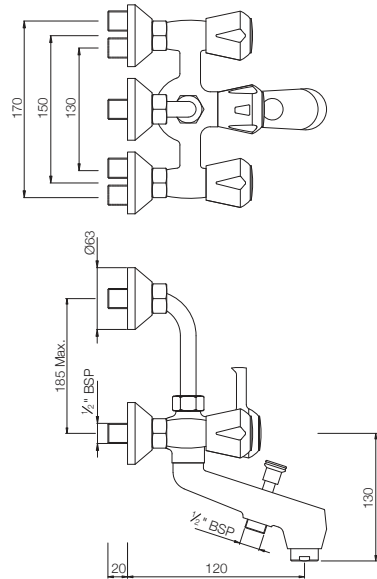
## BATH & SHOWER



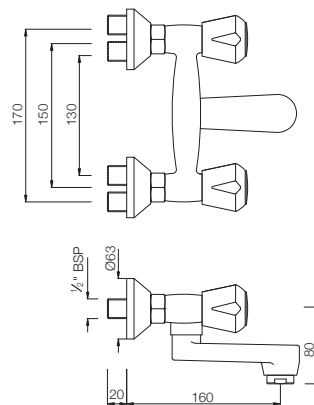
**MQT-517BKN**  
Bath and Shower Mixer with provision for Overhead Shower with 115mm Long Bend Pipe on Upper Side



**MQT-519KN**  
Bath & Shower Mixer 3-in-1 System with Provision for Hand Shower & Overhead Shower Complete with 115mm Long Bend Pipe, Wall Mounted



**MQT-520KN**  
Bath Filler, Wall Mounted

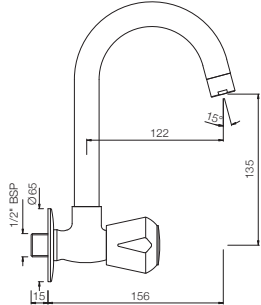


# MARVEL

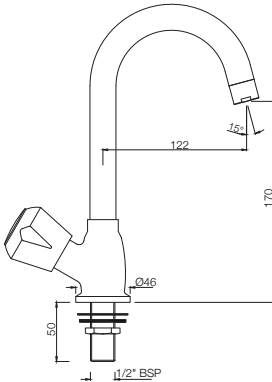
## KITCHEN



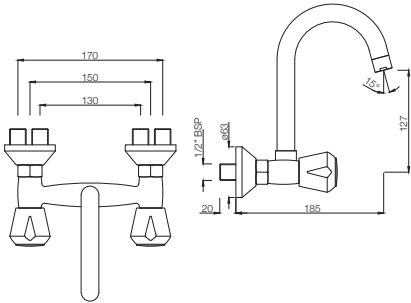
**MQT-522SF**  
Sink Tap with Wall Flange,  
Swivel Pipe Spout



**MQT-523S**  
Sink Pillar Tap with  
Swivel Pipe Spout



**MQT-521S**  
Sink Mixer with Swivel  
Pipe Spout, Wall Mounted

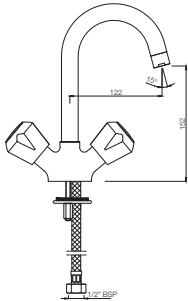


# MARVEL

## KITCHEN



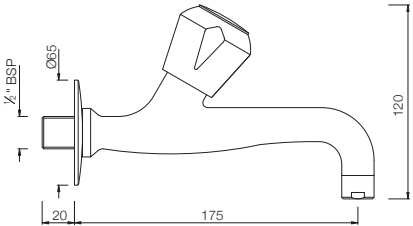
**MQT-527S**  
Mono Sink Mixer with  
Swivel Pipe Spout



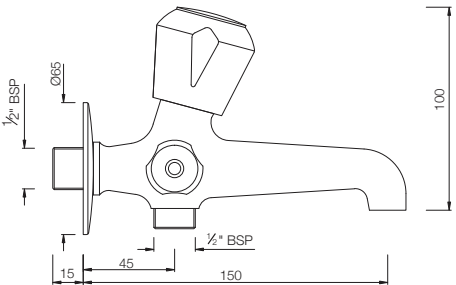
## TAPS



**MQT-512KN**  
Bib Tap Long Body  
with Wall Flange



**MQT-512AKN**  
2-Way Bib Tap Long  
Body with Wall Flange



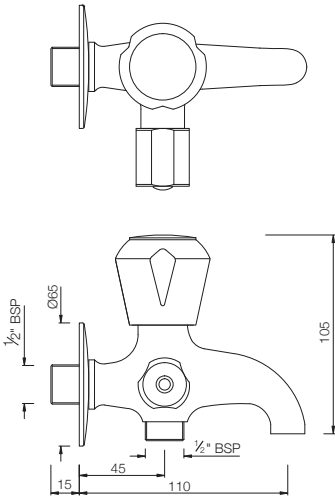


# MARVEL

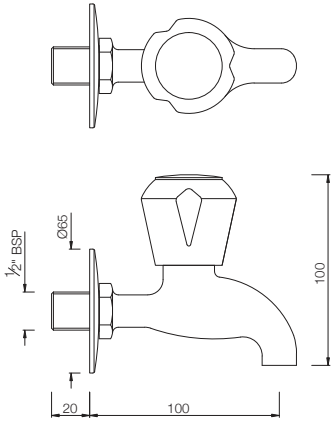
## TAPS



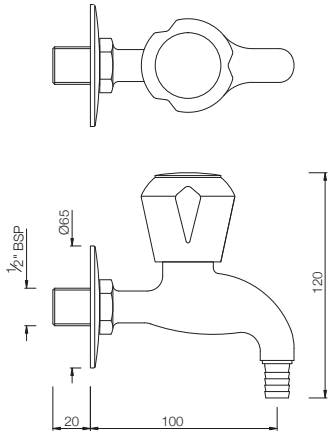
**MQT-512ANKN**  
2-Way Bib Tap with Wall Flange



**MQT-511KNF**  
Bib Tap Short Body with Wall Flange



**MQT-511AKNF**  
Bib Tap With Nozzle & Wall Flange

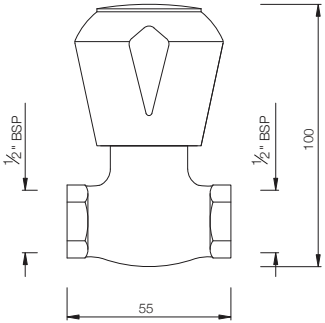


# MARVEL

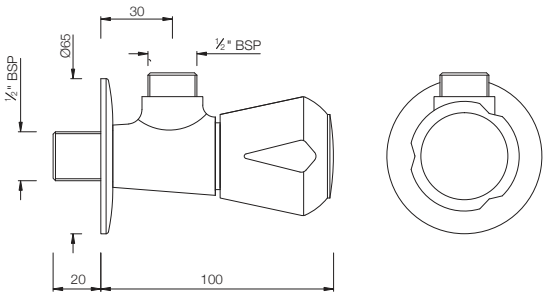
## TAPS



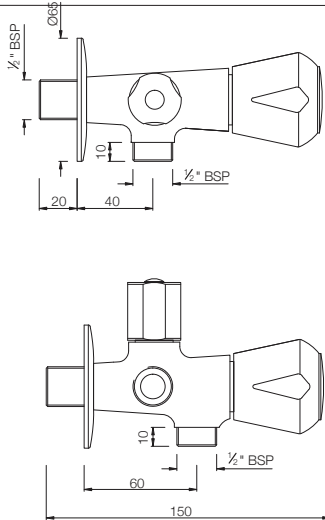
**MQT-513BKN**  
Stop Valve Female End



**MQT-526NKNF**  
Angle Valve with Wall Flange



**MQT-526AFKN**  
2-Way Angle Valve with Wall Flange

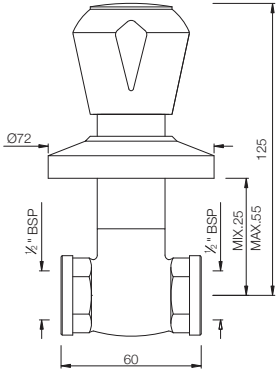


# MARVEL

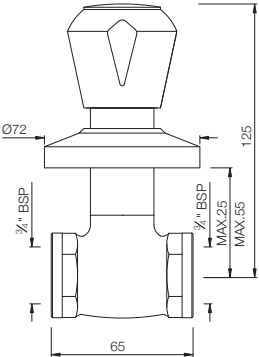
## TAPS



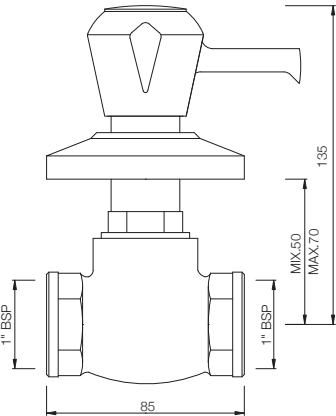
**MQT-514EKN**  
In-wall Stop Valve with  
Sliding Flange 15mm



**MQT-514FKN**  
In-wall Stop Valve with  
Sliding Flange 20mm



**MVF-551**  
Flush Valve with Wall Flange  
Size 25mm with Lever Handle









# TROPICAL

QUARTER TURN

**Experience TROPICAL waves in your bathroom.**

The range of quarter turn faucets that flow like the tropical waves to soothe and calm your senses. A blend of abundant flow and perfect finish makes it an excellent choice for a luxurious bathroom.





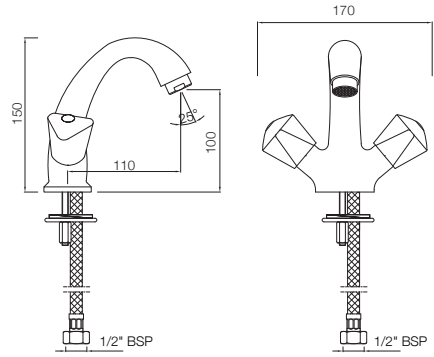


# TROPICAL

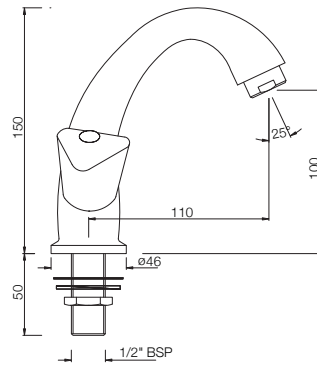
## BASIN | Quarter Turn



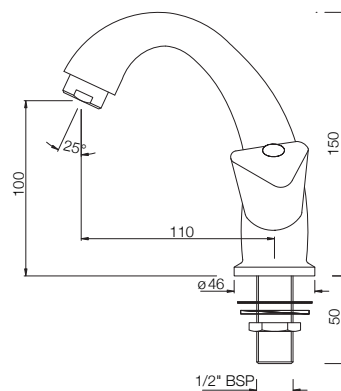
**TQT-516A**  
Monoblock Basin Mixer with 'U' Shape  
Round Casted Spout & 375mm Long  
Braided Hoses



**TQT-510**  
Basin Tap with Left  
Hand Operating Knob



**TQT-510A**  
Basin Tap with Right  
Hand Operating Knob

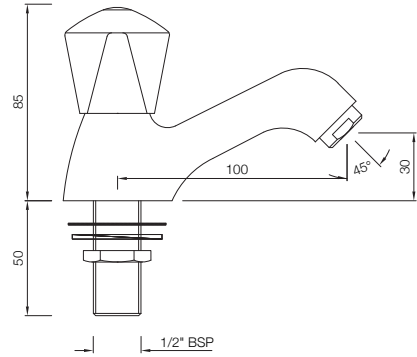


# TROPICAL

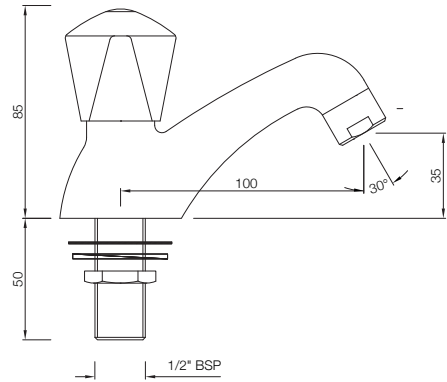
## BASIN



**TQT-507**  
Basin Tap 1/2 Inch



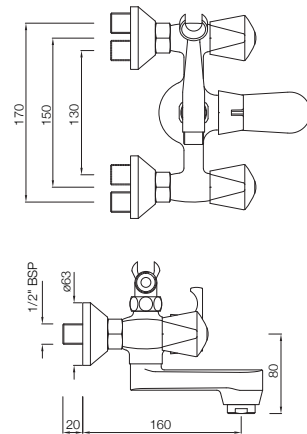
**TQT-508**  
Basin Tap 1/2 Inch Super Deluxe



## BATH & SHOWER



**TQT-517**  
Bath & Shower Mixer with  
Telephone Shower Crutch,  
Wall Mounted

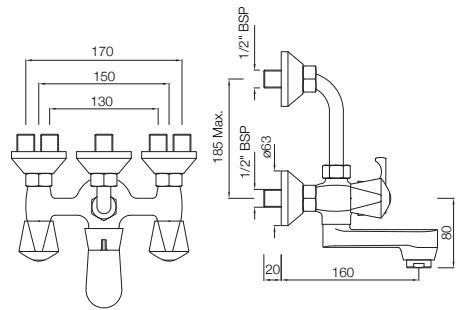


# TROPICAL

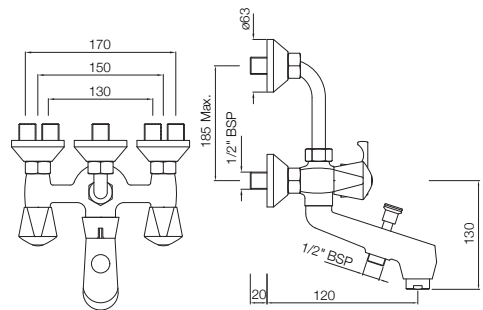
## BATH & SHOWER



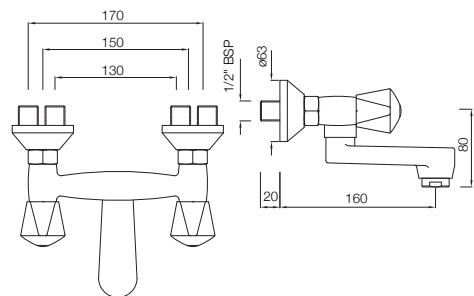
**TQT-517B**  
Bath and Shower Mixer with Provision for Overhead Shower with 115mm Long Bend Pipe on Upper Side



**TQT-519**  
Bath & Shower Mixer 3-in-1 System with Provision for Hand Shower & Overhead Shower Complete with 115mm Long Bend Pipe, Wall Mounted



**TQT-520**  
Bath Filler, Wall Mounted

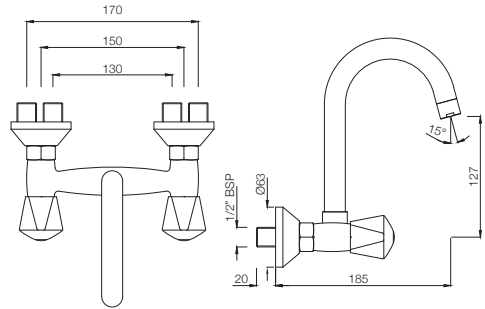


# TROPICAL

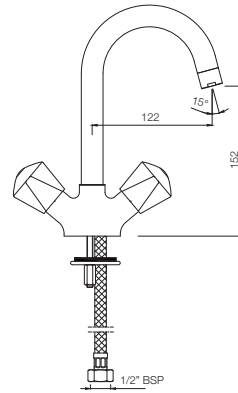
## KITCHEN



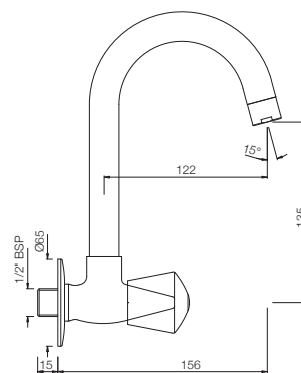
**TQT-521S**  
Sink Mixer with Swivel  
Pipe Spout, Wall Mounted



**TQT-527S**  
Mono Sink Mixer with  
Swivel Pipe Spout



**TQT-522SF**  
Sink Tap with Wall Flange,  
Swivel Pipe Spout

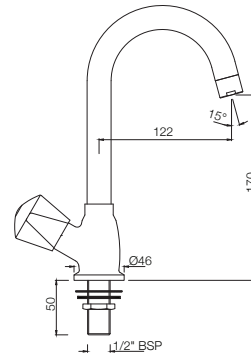


# TROPICAL

## KITCHEN



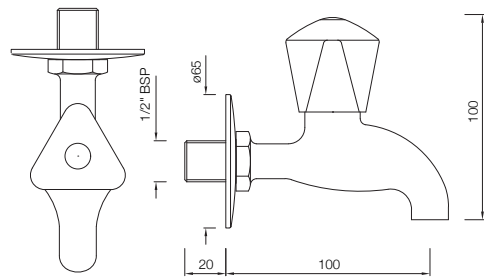
**TQT-523S**  
Sink Pillar Tap with  
Swivel Pipe Spout



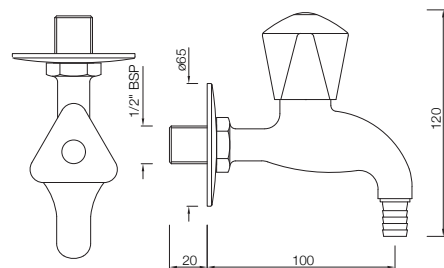
## TAPS



**TQT-511F**  
Bib Tap Short Body  
with Wall Flange



**TQT-511AF**  
Bib Tap With Nozzle & Wall Flange

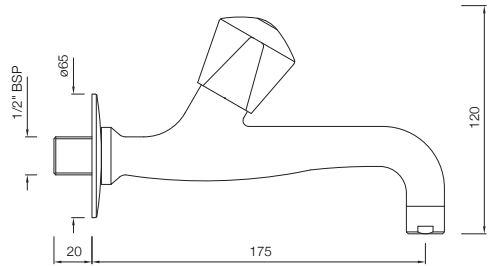


# TROPICAL

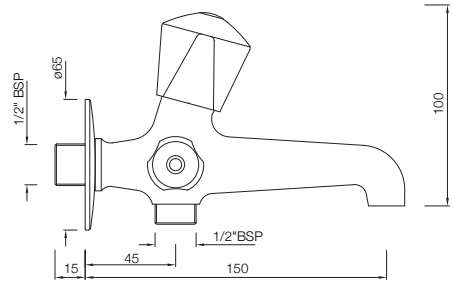
## TAPS



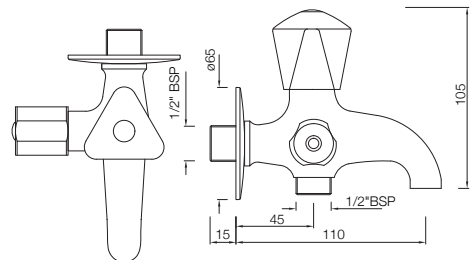
**TQT-512**  
Bib Tap Long Body  
with Wall Flange



**TQT-512A**  
2-Way Bib Tap Long  
Body with Wall Flange



**TQT-512AN**  
2-Way Bib Tap with Wall Flange



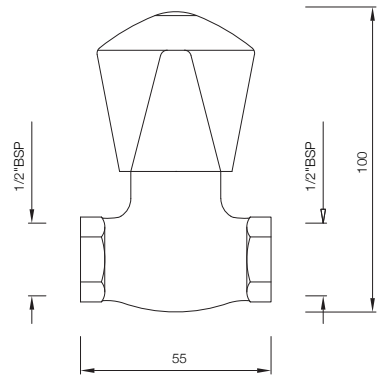


# TROPICAL

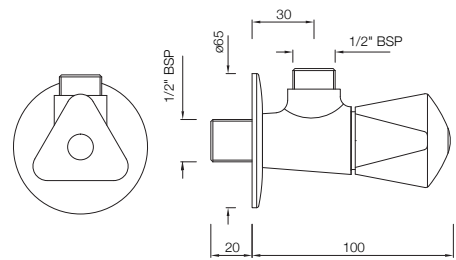
## TAPS



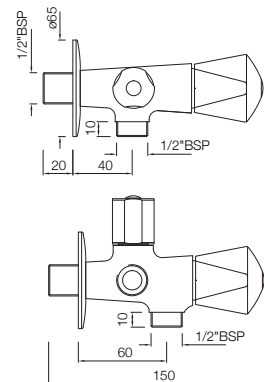
**TQT-513B**  
Stop Valve Female End



**TQT-526NF**  
Angle Valve with Wall Flange



**TQT-526AF**  
2-Way Angle Valve with Wall Flange

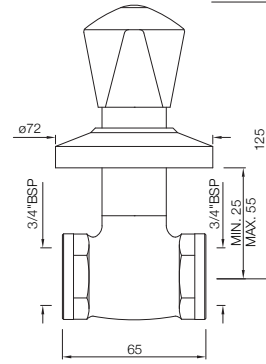


# TROPICAL

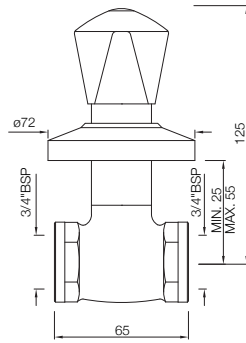
## TAPS



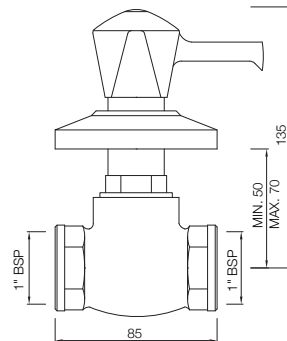
**TQT-514E**  
In-wall Stop Valve with  
Sliding Flange 15mm



**TQT-514F**  
In-wall Stop Valve with  
Sliding Flange 20mm



**TRF-551**  
Flush Valve with Wall Flange  
Size 25mm with Lever Handle



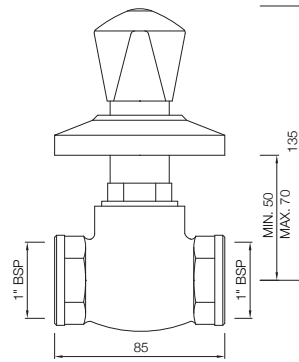
# TROPICAL

## TAPS



### TRF-553KN

Flush Valve with Wall Flange  
Size 25mm with Plain Knob











# SHOWERS

Go with the flow with a stylish range of showers to choose from. Make every bathing experience of the day refreshing and just the way you like with the shower of your choice.

## FEATURES



ABS Body



Rubit Cleaning



High Performance



Jaquar Care



10 Years Warranty

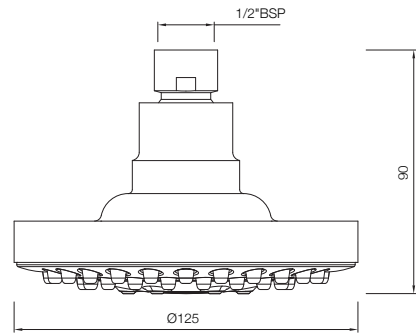


# SHOWERS

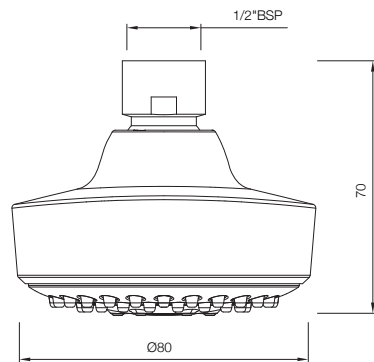
## OVERHEAD SHOWERS



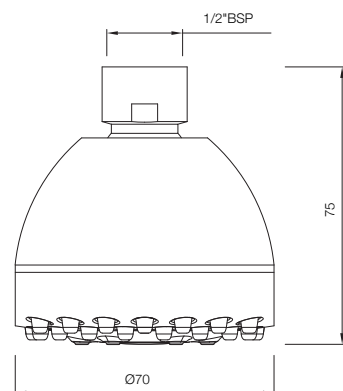
**EOS-542A**  
Single Function 125mm dia  
Round Shape Overhead Shower



**EOS-1985**  
Single Function 80mm dia  
Round Shape Overhead Shower



**EOS-491**  
Single Function 70mm dia  
Round Shape Overhead Shower



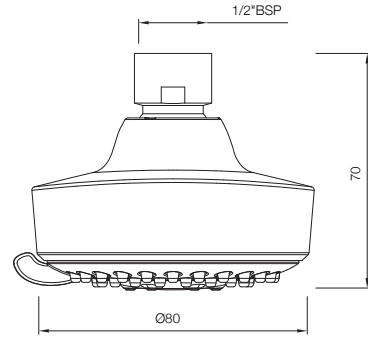
# SHOWERS

## OVERHEAD SHOWERS



### EOS-1995

Multifunction 80mm dia Round Shape Overhead Shower with Normal & Massage Spray

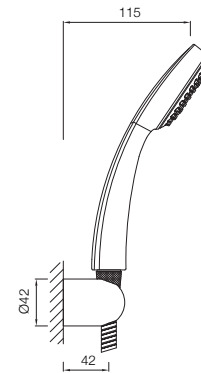


## HAND SHOWERS



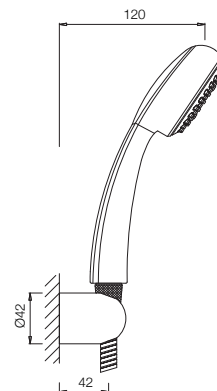
### SAE-1929SH555

Hand Shower Pack (Single Function 80mm dia Round Shape Hand Shower with 1.5M long Spirochrome Flex Hose & Wall Bracket, 1929, 547D8 & 555)



### SAE-551SH555

Hand Shower Pack (Single Function 70mm dia Round Shape Hand Shower with 1.5M Long Spirochrome Flex Hose & Wall Bracket, 551, 547D8 & 555)



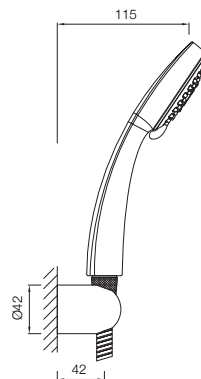
# SHOWERS

## HAND SHOWERS



### SAE-1931SH555

Hand Shower Pack (Multifunction  
80mm dia Round Shape Hand Shower  
with 1.5M long Spirochrome Flex Hose  
& Wall Bracket, 1931, 547DB & 555)





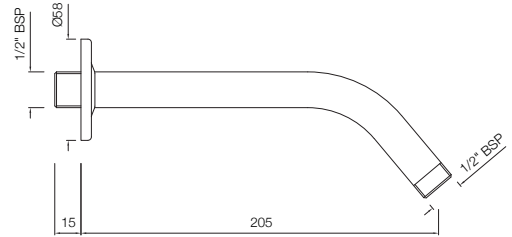


**ALLIED**

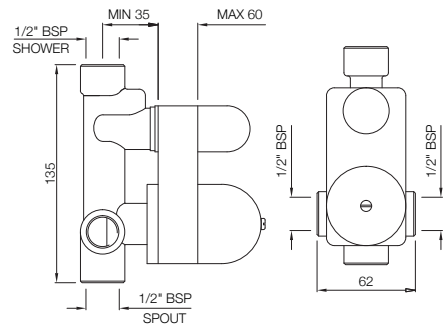
# ALLIED



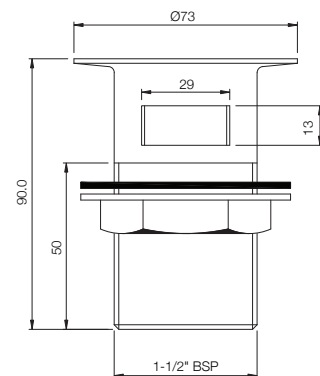
**ALE-536A**  
Shower Arm with Wall Flange



**ALE-055**  
In-wall Body of Single Lever  
Diverter with 35mm Cartridge



**ALE-543HT**  
Basin Waste Half Thread 40mm, Slotted

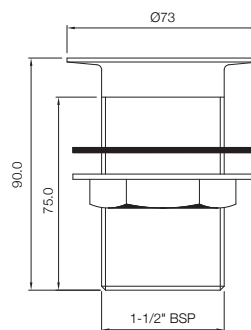




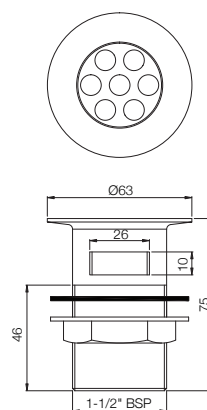
# ALLIED



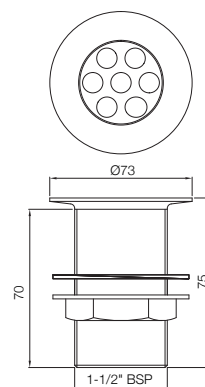
**ALE-543FT**  
Basin Waste Full Thread 40mm, Unslotted



**ALE-544NHT**  
Basin Waste Half Thread 32mm, Slotted



**ALE-544NFT**  
Basin Waste Full Thread 32mm, Unslotted

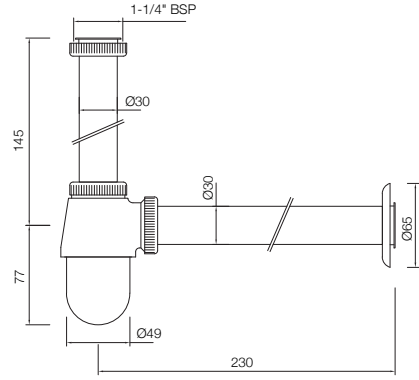


# ALLIED



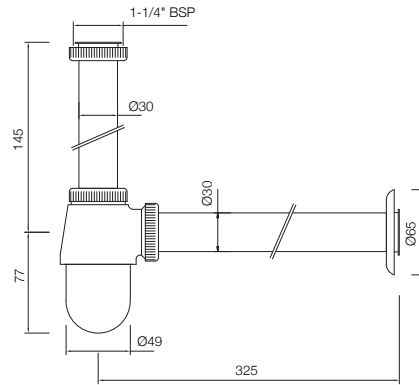
**ALE-773ML190X125**

Bottle Trap with 190mm & 125mm Long Wall Connection Pipes



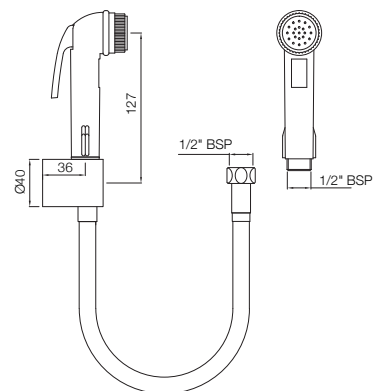
**ALE-773ML300X125**

Bottle Trap with 300mm & 125mm Long Wall Connection Pipes



**ALE-CHR-583**

Health Faucet Kit (PVC Hose, Handset, ABS Body & Bracket)

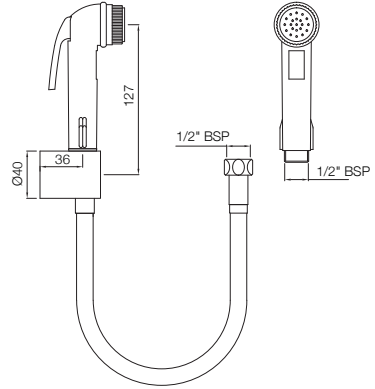


# ALLIED



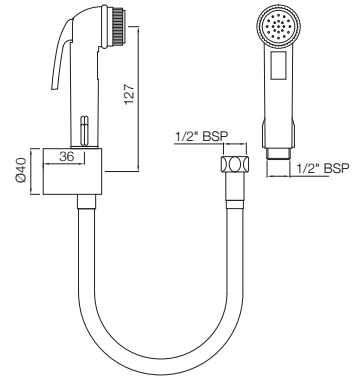
## ALE-BLK-583

Health Faucet Kit (PVC Hose, Handset, ABS Body & Bracket)



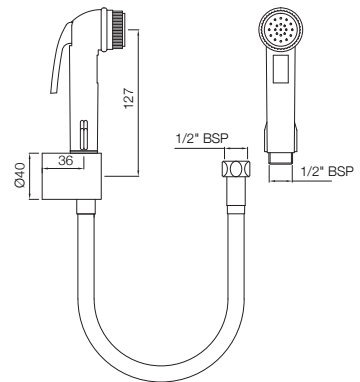
## ALE-IVY-583

Health Faucet Kit (PVC Hose, Handset, ABS Body & Bracket)



## ALE-CHR-585

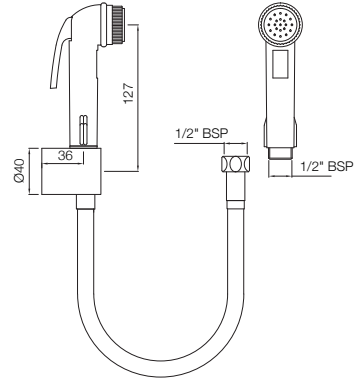
Health Faucet Kit (Easy Flex Chrome Hose, Handset, ABS Body & Bracket)



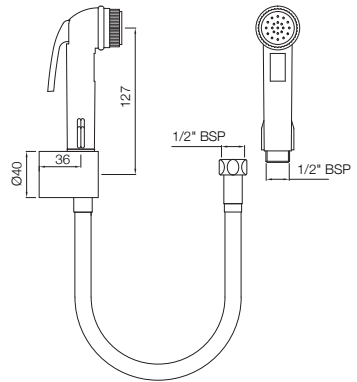
# ALLIED



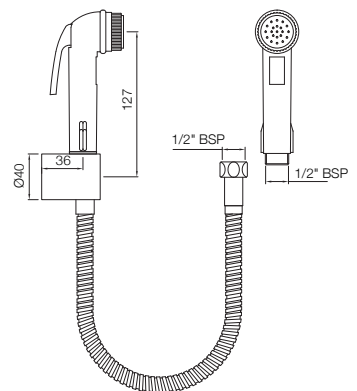
**ALE-IVY-585**  
Health Faucet Kit (Easy Flex Chrome  
Hose, Handset, ABS Body & Bracket)



**ALE-BLK-585**  
Health Faucet Kit (Easy Flex Chrome  
Hose, Handset, ABS Body & Bracket)



**ALE-CHR-593**  
Health Faucet Kit (Flexible Chrome  
Hose, Handset, ABS Body & Bracket)

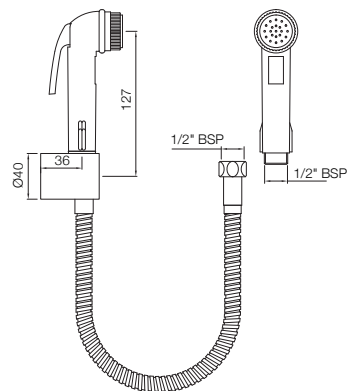


# ALLIED



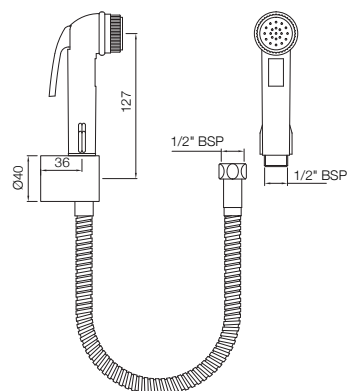
## ALE-BLC-593

Health Faucet Kit (Flexible Chrome  
Hose, Handset, ABS Body & Bracket)



## ALE-IVC-593

Health Faucet Kit (Flexible Chrome  
Hose, Handset, ABS Body & Bracket)











# ACCESSORIES

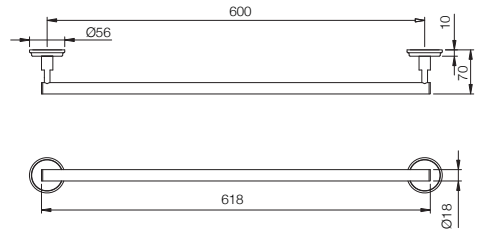
Equip your bathrooms with elegant bathroom accessories that add those beautiful details to the whole décor.



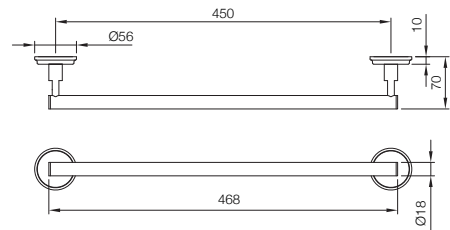
# BATH ACCESSORIES



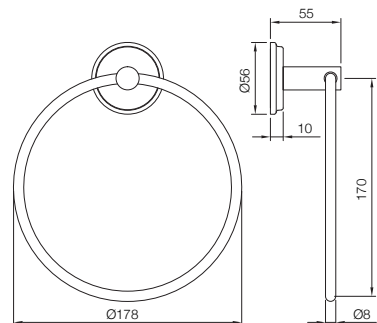
**AEC-1111N**  
Towel Rail 600mm Long,  
Stainless Steel



**AEC-1111NB**  
Towel Rail 450mm Long,  
Stainless Steel



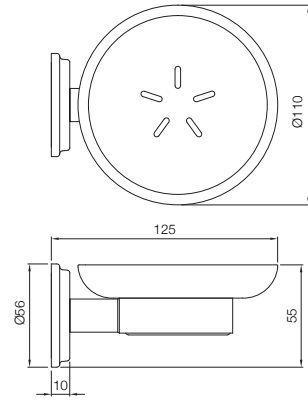
**AEC-1121N**  
Towel Ring Round



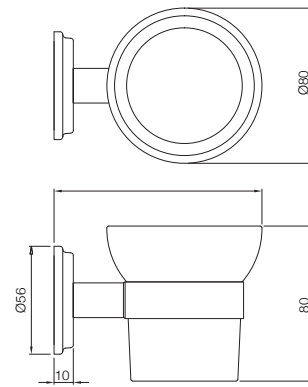
# BATH ACCESSORIES



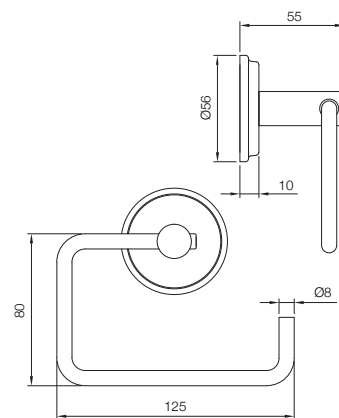
**AEC-1131N**  
Soap Dish



**AEC-1141N**  
Tumbler Holder



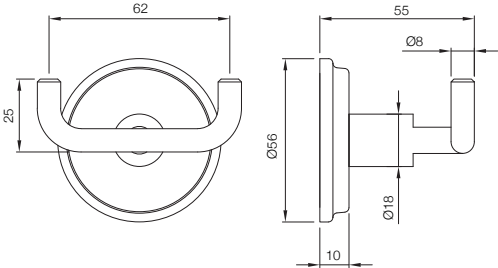
**AEC-1151N**  
Toilet Paper Holder



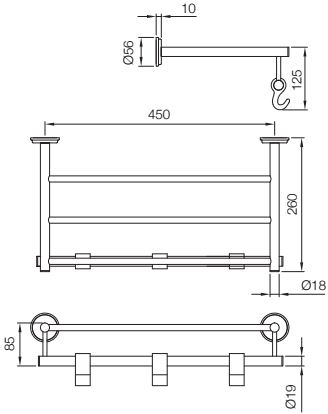
# BATH ACCESSORIES



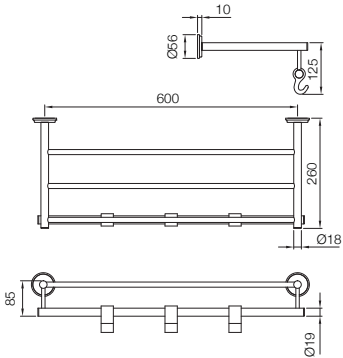
**AEC-1161N**  
Double Robe Hook



**AEC-1181NA**  
Towel Shelf 450 mm long with  
Lower Hangers, Stainless Steel



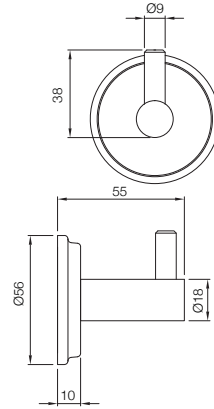
**AEC-1181N**  
Towel Shelf 600 mm long with  
Lower Hangers, Stainless Steel



# BATH ACCESSORIES



**AEC-1191N**  
Single Robe Hook



# ELEMENTS

SANITARYWARE





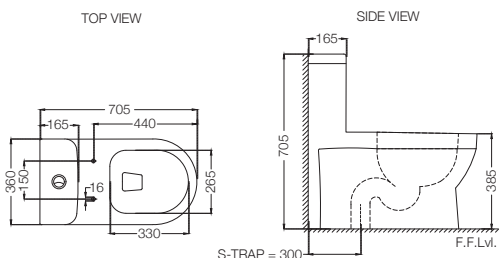


# ELEMENTS | Sanitaryware



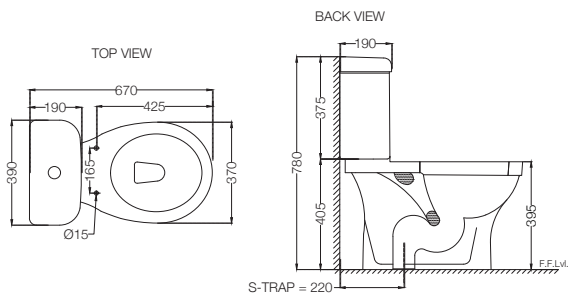
## ECS-WHT-851S300SPPSM

Single Piece WC with PP Soft Close Slim Seat Cover, Hinges, Dual Flush Cistern Fitting, Fixing Accessories and Accessories Set  
Size: 360x705x705mm, S Trap- 300mm



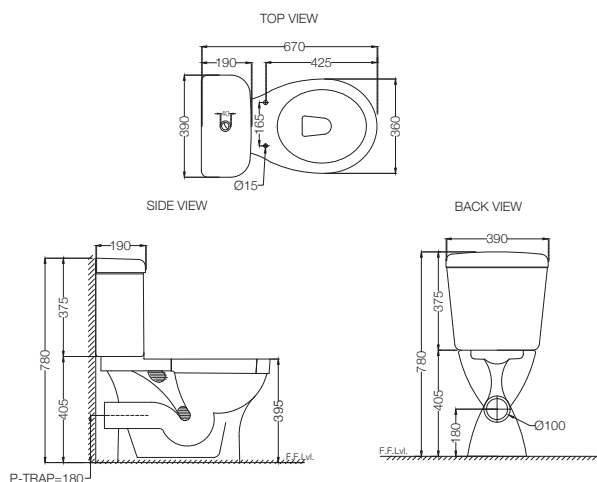
## ECS-WHT-751S220SPPZ

Bowl with Cistern for Coupled WC with PP Soft Close Seat Cover, Hinges, Dual Flush Cistern Fitting, Fixing Accessories and Accessories Set, Size: 390x670x780 mm  
S Trap- 220 mm



## ECS-WHT-751P180SPPZ

Bowl with Cistern for Coupled WC with PP Soft Close Seat Cover, Hinges, Dual Flush Cistern Fitting, Fixing Accessories and Accessories Set, Size: 390x670x780mm  
P Trap- 180mm



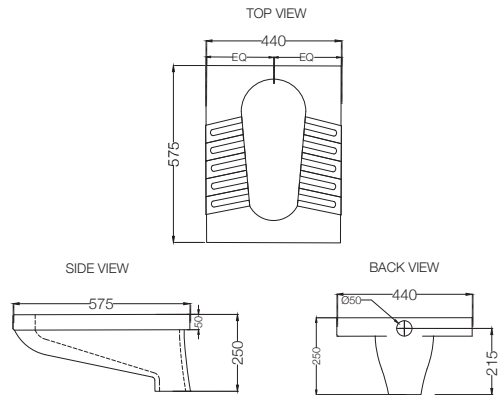


**ECS-WHT-451**

Orissa Pan,  
Size: 440x575x250mm

**ECS-WHT-451LE**

Orissa Pan with L Bend and  
Extension, Size: 440x575x250mm

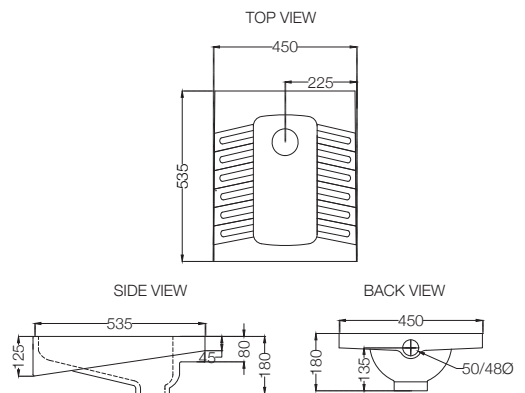


**ECS-WHT-455**

Asian Pan,  
Size: 450x535x180 mm

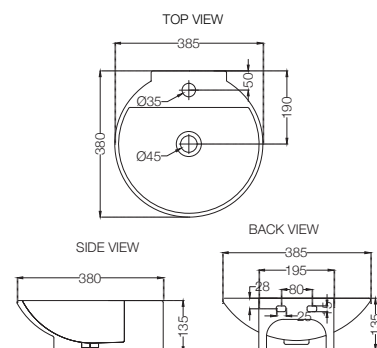
**ECS-WHT-455LE**

Asian Pan with L Bend and  
Extension, Size: 450x535x180mm



**ECS-WHT-931**

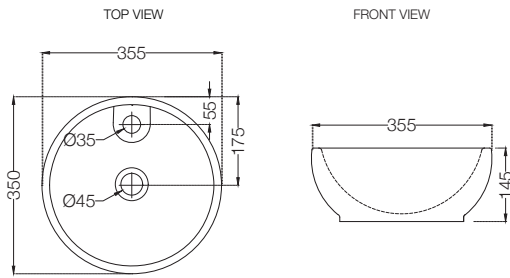
Table Top Basin,  
Size: 385x380x135mm



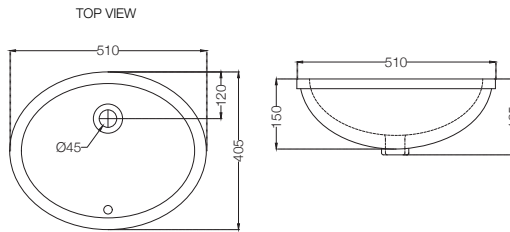
# ELEMENTS | Sanitaryware



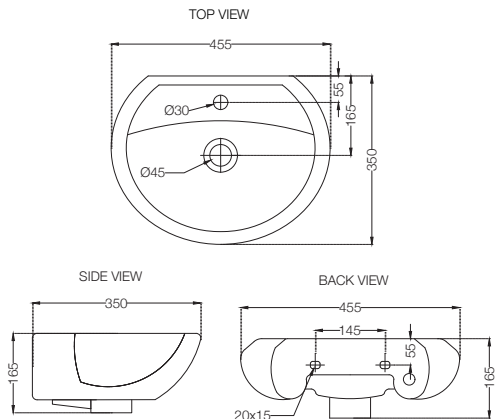
**ECS-WHT-901**  
 Table Top Basin,  
 Size: 355x350x145mm



**ECS-WHT-703**  
 Under Counter Basin with Fixing  
 Accessories, Size: 510x405x185mm  
 Shape: Oval



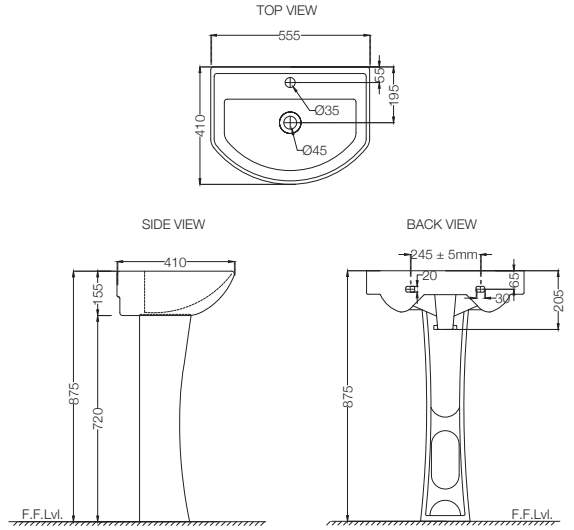
**ECS-WHT-803**  
 Wall Hung Basin with Fixing  
 Accessories, Size: 455x350x165mm



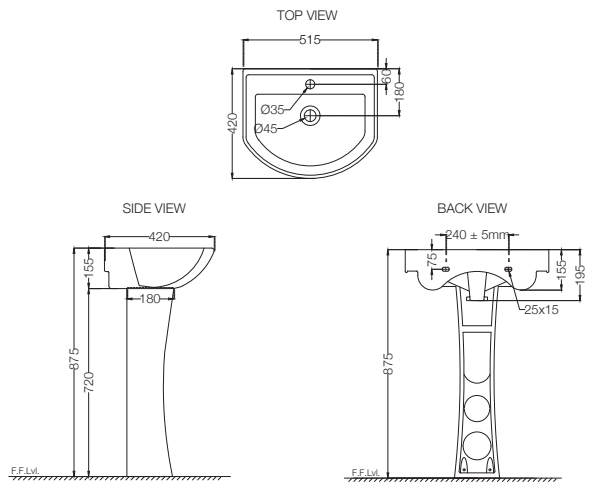
# ELEMENTS | Sanitaryware



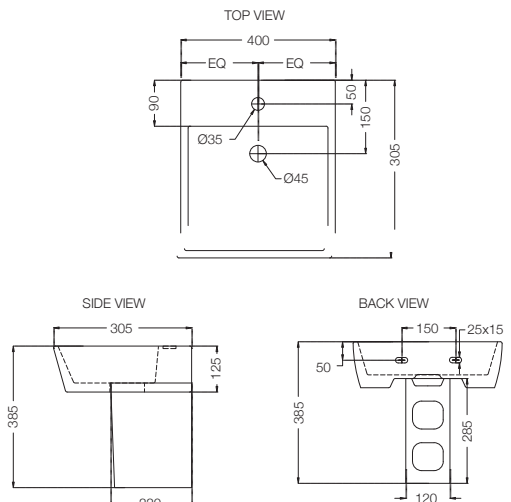
**ECS-WHT-801**  
 Wall Hung Basin with Fixing  
 Accessories, Size: 555x410x205mm  
**ECS-WHT-301**  
 Full Pedestal for ECS-WHT-801, 805



**ECS-WHT-805**  
 Wall Hung Basin with Fixing  
 Accessories, Size: 515x420x195mm  
**ECS-WHT-301**  
 Full Pedestal for ECS-WHT-801, 805



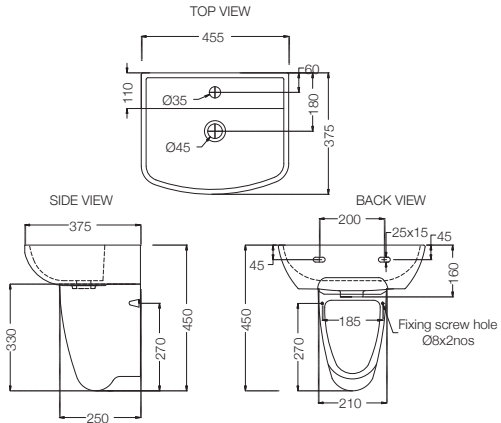
**ECS-WHT-811**  
 Wall Hung Basin with Fixing  
 Accessories, Size: 400x305x125mm  
**ECS-WHT-305**  
 Half Pedestal with Fixing  
 Accessories for ECS-WHT-811



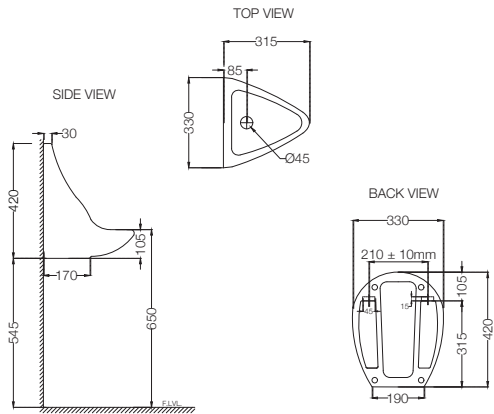
# ELEMENTS | Sanitaryware



**ECS-WHT-813**  
 Wall Hung Basin with Fixing  
 Accessories, Size: 455x375x160mm  
**ECS-WHT-307**  
 Half Pedestal with Fixing  
 Accessories for ECS-WHT-813



**ECS-WHT-253**  
 Urinal with Fixing Accessories,  
 Size: 330x315x420mm







# SANITARYWARE BOWLS

In its Sanitaryware range, Essco also provides you with a wide range of designs and features in bowls, cisterns and more. Sanitaryware items mentioned below can be purchased separately as per your requirement.

Bowls		
S. No.	Code	Description
1	AIS-WHT-101751P180B	Bowl Only for Coupled WC, Size: 395x680x775mm, P Trap-180mm
2	AIS-WHT-101751S220B	Bowl Only for Coupled WC, Size: 395x670x750mm, S Trap- 220mm
3	AIS-WHT-101951B	Wall Hung Wc (Bowl Only), Size: 340x510x360mm
4	CMS-WHT-103751P180B	Bowl Only for Coupled WC, Size: 400x665x810mm, P Trap- 180mm
5	CMS-WHT-103751S220B	Bowl Only for Coupled WC, Size: 400x665x810mm, S Trap- 220mm
6	CMS-WHT-103851P180B	Single Piece WC (Bowl Only), Size: 395x710x665mm, P Trap- 180mm
7	CMS-WHT-103851S220B	Single Piece WC (Bowl Only ), Size: 395x710x665mm
8	ECS-WHT-551PB	EWC (Bowl Only), Size: 360x475x395mm, P Trap
9	ECS-WHT-551SB	EWC (Bowl Only), Size: 365x545x395mm, S Trap
10	ECS-WHT-751P180B	Bowl Only for Coupled WC, Size: 390x670x780mm, P Trap-180mm
12	ECS-WHT-751S220B	Bowl Only for Coupled WC, Size: 390x670x780mm, S Trap- 220mm
12	ZBE-WHT-851S300B	Single Piece WC (Bowl only), Size: 360x705x705mm, S Trap- 300mm
13	ECS-WHT-955B	Wall Hung WC (Bowl Only), Size: 350x500x335mm
14	AIS-WHT-101201C	Cistern Only for 101351B, 101751S220B, 101751P180B
15	CMS-WHT-103201C	Cistern Only for 103751S220B, 103751P180B
16	ECS-WHT-201C	Cistern Only for 351B,751S220B,751P180B

# SANITARYWARE SEAT COVERS

S. No.	Code	Description
1	AIS-WHT-103S	PP Soft Close Slim Seat Cover for 101951, 101351, 101751, 101551
2	ECS-WHT-101S	PP Soft Close Seat Cover for 955SPP
3	CMS-WHT-101S	PP Soft Close Seat Cover for 103951SPP, 103751S220SPP, 103751P180SPP
4	ECS-WHT-103S	PP Soft Close Seat Cover for 951SPP, 103851S220SPP
5	ECS-WHT-109S	PP Soft Close Seat Cover for 351SPP, 751P180SPP, 751S220SPP, 551SSPP, 551PSPP
6	ECS-WHT-113SPP	PP Soft Close Slim Seat Cover for 851S300SPPSM

# FLUSHING SYSTEMS

ESSCO flushing systems are designed with as much attention and detail as any other bathroom décor products, so you don't have to compromise on the overall look of your bathroom.

## FEATURES



Smooth  
Operation



Unmatched  
Durability



Easy  
Maintenance



Modern  
Design

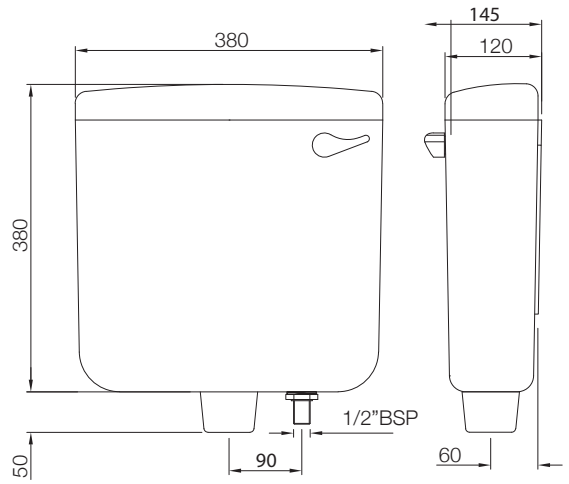


2 years  
Warranty

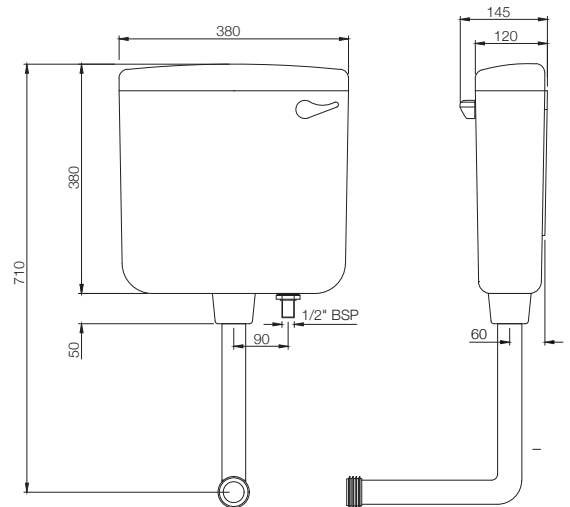
# CISTERNS



**ESH-WHT-183NT**  
Smart Single Flush Wall Hung Cistern  
(Compatible with 39mm Drainage Pipes)  
Installation Kit, but without Drainage Pipes  
(Suitable for Orissa Pan)



**ESH-WHT-183NL**  
Smart Single Flush Wall Hung Cistern  
with 39mm Drainage L-bend Pipe with  
Gasket & Installation Kit (Suitable for EWC)







# WATER HEATERS

Safety in a space like a bathroom is of utmost importance. Choose from a range of safe, durable, and energy-efficient water heaters by ESSCO

## FEATURES



High Quality  
Glasslined Inner Tank



Energy Saving  
High Density  
PUF Insulation



Incoloy  
Heating Element



Magnesium  
Anode Rod



BEE  
Star Rating



Multi Function  
Safety Valve



Rust Free  
Body



Power  
Saver



High Quality  
Safety Features



Quality  
at Best Price

# WATER HEATERS



ULT-ESS-V006/ULT-ESS-V010/ULT-ESS-V015/ULT-ESS-V025			
Details	Ultra Vertical Manual		
Volume (L)	06 /10/15/25		
Rated Wattage(KW)	2		
Voltage/Frequency (V/Hz)	230/50		
Temperature Range	25°C to 75°C		
Working Pressure (MPA)	0.8		
Inlet/Outlet Connection (Inch)	1/2		
Outer Body Material	Metallic		
Warranty	5 Years on Tank		
	2 Years on Heating Element		
	2 Years on other Components		
Product Dimensions (mm)		<b>Height</b>	<b>Width</b>
	06 L	390	285
	10 L	410	340
	15 L	445	335
	25 L	575	374

MODEL
<b>ULT-ESS-V006</b> Ultra Manual Storage Water Heater 6 Litre Capacity Vertical Installation
<b>ULT-ESS-V010</b> Ultra Manual Storage Water Heater 10 Litre Capacity Vertical Installation
<b>ULT-ESS-V015</b> Ultra Manual Storage Water Heater 15 Litre Capacity Vertical Installation
<b>ULT-ESS-V025</b> Ultra Manual Storage Water Heater 25 Litre Capacity Vertical Installation



# Essco Care

Essco takes pride in the trusted customer service network of the Jaquar Group that offers India's most reliable service with a world class, fully integrated service network across the country.

- Prompt pre and post installation services with a host of value-added customer service like spare parts backup, service camps and on-site plumbing guidance.
- Single point contact for everything in the bathroom-backed by over 1,000 trained technicians, and a 10-year warranty on products.
- A first of its kind bathroom maintenance service to not only pre-empt any possibility of malfunctioning, but also ensure peak performance of the products.



**Jaquar**  
GROUP

CUSTOMER  
CARE

[service@jaquar.com](mailto:service@jaquar.com)

# Features

## Sanitaryware



**Coordinated Design**  
The coordinated design of Essco products are best in class offering for your bathroom. The range does not only complement the design but also the functionality of each product.



**Trap Glazing**  
Essco water closets are made with trap glazing technique. It helps in maintaining the highest degree of hygiene in your bathroom. Trap glazing does not allow dirt and human waste to accumulate on the inner surface of the trap thus making your WC hygienically clean.



**Load Bearing Tests**  
To ensure the safety & strength of each sanitaryware installation, all Essco products go under load bearing test. Essco washbasins are tested for a load bearing capacity of up to 100kgs, while water closets are tested for 400kgs.



**Efficient Flushing**  
Essco sanitaryware are tested to perform under tough Indian conditions. All our flushing mechanisms in European water closets goes under 100 ball test to have efficient flushing every time.



**After Sales Service**  
Essco Bathware is committed to ensuring unmatched customer service by using the trusted customer care support of its parent company Jaquar.



**10 Year Warranty**  
10 years for Essco sanitaryware, 2 years for PP seat cover and 5 years for flushing system.

## Cistern



**Smooth Operations**  
The operational capability of the cistern is more than 2 lakh cycles with a water storage capacity of 6 liters. The flushing system is designed to provide trouble free-flushing with a built-in overflow hole.



**Unmatched Durability**  
The body of the cistern is made from high grade polypropylene. This is the most suitable material since it is resistant to stains, chips, scratches and cracks.



**Easy Maintenance**  
Essco cisterns are fully assembled and easy to install. Its best grade virgin plastic is easy to clean and maintain. These flushing systems are offered in single-flushing option.



**Modern Designs**  
Essco cistern designs are universal in nature to complement all type of bathrooms, be it Indian or European.



**2 years Warranty**  
Essco cisterns are offered with a warranty of 2 years.

## Faucet



**Smooth Operations**  
A consistent lever operation test is conducted for over 2 Lac cycles to check sustainability. We believe in being with you for generations and for that all our products have to last long.



**Chrome Plating**  
All our bathroom and kitchen faucets are manufactured with robust chrome plating to sustain the tough Indian condition of hard water and rough usage. It provides corrosion resistance, eases cleaning procedures, increases surface hardness, and offers a decorative shine.



**Optimum Flow and Temperature**  
We have an integrated honeycomb-structured aerator that creates a mixture of water and air, making the stream fuller, smoother and also provides a lime build-up protection.



**After Sales Service**  
Essco Bathware is committed to ensuring unmatched customer service by using the trusted customer care support of its parent company Jaquar.



**10 Year Warranty**

## Shower



**ABS body**  
for longer life and sustainability.



**Rubit Cleaning**  
Key quality parameter of Rub -it cleaning system for easy maintenance and enhanced showering experience.



**High Performance**  
Design to sustain and provide good showering experience even at low pressure again a significant aspect of manufacturing excellence.



**After Sales Service**  
Essco Bathware is committed to ensuring unmatched customer service by using the trusted customer care support of its parent company Jaquar.



**10 Year Warranty**

## Water Heater



### High Quality Glass Lined Inner Tank

Introducing the new Essco Storage Water Heater range that comes with Glasslined Tank that counters scale, sediment, residue build up on the surface of the water heater tank over time due to hard water. The Glasslined Tank prevents corrosion when it is in contact with warm water. This increases the longevity of the appliance enhancing your bathing experience.



### High Density PUF Insulation

CFC free high density Polyurathane insulation keeps the water hot and prevents heat loss for a long time. It reduces energy consumption and provides high energy efficiency.



### Incoloy Heating Element

Incoloy Heating Element offers superior heating performance with resistance to carbonization and oxidation at high temperature . It also resists corrosion against hard water resulting in extended life span of the heating element.



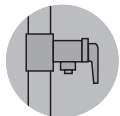
### Magnesium Anode Rod

The tank has a magnesium anode rod that is designed to protect the tank from corrosive element. It works as a sacrificial anode keeping the tank rust proof and ensures a longer life.



### BEE Star Rating

BEE rating assures that it's highly energy efficient.



### Multi Function Safety Valve

It prevents malfunction during abnormal conditions like high pressure. There are four functions for the safety valve-pressure release, vacuum release, non-return and draining. The MFSV prevents pressure to increase beyond 8 bar.



### Rust-free body

Rust-free ABS body prevents rusting and corrosion of the water heater from outside.



### Power Saver

Less electricity consumption because of high density PUF insulation and glass line coating on the inner tank.



### High Quality Safety Features

High quality safety features helps in avoiding any operational hazard, ensuring more safety.



### Quality at the best price

Essco by Jaquar ensure a good quality product at the best price.

## Warranty Information



Warranty Description	Product Category	Name of the Jaquar Products or Parts	Warranty - In Years		
The products are warranted against any manufacturing defect specified under the warranty period subject to terms and conditions specified in this warranty certification.	Faucets	Faucet, Accessory (Only Metal Parts) & Braded Hose	10		
		Sensor Faucet	5		
		Electronic/Electrical assembly for Sensor Faucet	5		
		Showertronic	5		
		Faucets with color finish only	5		
	Flushing Systems	Flush Valve	10		
		Concealed Cistern - Body & Working Mechanism	7		
		Wall Hung Cistern	2		
		Sensor based Flushing System - Body, Electronic / Electrical Assembly	5		
	Sanitary Ware	Ceramic Body	10		
		Mechanical Parts	2		
		UF Seat Cover	5		
		PP Seat Cover	2		
	Wellness	Electrical & electronic parts in all products	2		
		Free standing tub, bath tub, whirlpool, SPA, Steam Cabin, Sauna, Shower Panel : parts other than electrical & electronics parts	5		
		SPA - shell	10		
		Steam generator	2		
		Filter & other consumables	Nil		
	Shower Enclosures	Shower Enclosure hardware	5		
	Washroom Accessories	Hand Dryer, Soap Dispenser, Paper Towel Dispenser	2		
		Warranty - In Years			
Product Category	Brand & Product	Tank	Heating Element	Other spare part	Compressor & sealed system
Hot Water Solution	Jaquar - Instant	5	2	2	NA
	Jaquar - Storage upto 100L	7	4	2	NA
	Jaquar - Storage above 100L	3	3	3	NA
	Jaquar - Tank Less	NA	3	1	NA
	Jaquar - Heat pump	4	2	1	2
	Jaquar - Gas geyser	1	NA	1	NA
	Essco - Instant & storage upto 100L	5	2	2	NA
OUR WARRANTY DOES NOT COVER CERTAIN PRODUCT CONSUMABLES LIKE BATTERIES OR FRAGILE ITEMS LIKE GLASS					

### MAINTENANCE GUIDELINES FOR JAQUAR PRODUCT

Kindly follow the guidelines mentioned below to give you the best results and to maintain the finishes and longevity of the product.

- Clean the product with water-soaked soft towel or bathing soap solution once in a day or two to keep the plated surface clean and free from any deposits.

- Don't use any type of cleaning/detergent agents which contain acids or chemicals such as flush cleaner, tile cleaner etc.
- Don't use salt or vinegar-based cleaning agents to remove scale or scale-related stains. They may damage the surface or finish of products.
- Special color combination products should not be rubbed by Emery paper/cleaning powder. This can cause abrasion.

You need to protect your product from:

1. **Water Scaling:** Due to presence of minerals and salt in water, scaling is formed on the product if it is not cleaned regularly. The products should be cleaned gently at regular intervals. Also, take extra care to clean the edges and corners of the products because these areas are more vulnerable for scale settling. Clean the aerators from time to time for a perfect foam flow of water from the fittings. The property of water being used is very important for your plumbing installations (Pipes etc.), as well as for your own hygiene. The hardness of water should not exceed 300-400ppm.
2. **Acid Fumes:** When we clean the tiles or floors in the bathroom with cleaning agents which contain acids or chemicals, acid fumes are formed. Because the basic material used in the products is brass, brass being an alloy of copper reacts with these acid fumes. With this reaction, a green colour layer is formed on the products resulting in damage to the outer finish or coating.
3. **Scratching while cleaning:** Scratching or scrubbing occurs due to hard nature of cloth or coarse cleaning powder being used for cleaning. Use a gentle fluffy soft cloth for cleaning the surface.
4. **Atmospheric conditions:** This condition applies mostly to salt content in the air in coastal areas, sometime the air reacts with brass and black spots emerge on the surface of product. Therefore, the product is required to be cleaned regularly. At the time of installation of these products, cover the products with the cloth covers provided in packaging or with polythene till the time you actually start using them.

## **Care and cleaning guidelines for Sanitary Ware Products**

Vitreous china sanitary ware products are fragile in nature and need to be handled with care (to avoid personal injury) at all times during its storage, handling, installation and use thereafter.

- The wash basin and water closet are heavy and it is recommended that two persons hold it while it is being fixed.
  - Carefully inspect the new product for damage before installation.
  - Risk of product damage. Over tightening may cause breakage or chipping of vitreous china.
  - Risk of external leakage. Do not lift or rock the bowl after placement.
- Always test product cleaning solution on an inconspicuous area on the product before applying it to the entire surface.
  - Do not allow cleaners to sit or soak on the product.
  - Use a soft, dampened sponge or cloth to clean. Never use abrasive material like a bristle brush or scouring pad.
  - Wipe surfaces clean and rinse completely with water immediately after applying cleaners.

## **WARRANTY TERMS & CONDITIONS:**

1. Warranty is offered by Jaquar & Company Pvt. Ltd (hereinafter referred as company) as warranty on all its products as per warranty period ONSITE. The warranty period varies from product to product. Kindly refer Warranty Certificate for details.
2. The foregoing warranty constitutes Jaquar's sole warranty and Jaquar gives no warranty, express or implied, including warranties of fitness for a particular purpose and warranties of merchantability and there are no warranties which extend to use of the company's Products for the purposes beyond description and further company neither assumes nor makes nor authorizes any person to make representation that the product is of any particular quality or standard or is suitable for any particular purpose.
3. This warranty shall be governed by the laws of the land wherein the sale of the product is affected. The Courts within whose territorial jurisdiction such sale is affected shall have the exclusive jurisdiction to entertain any dispute regarding or arising out of this warranty and/ or the sale of this product. Any claim of defect or replacement or any other complaint under this Limited Warranty Certificate shall be made to such Official Distributor/ Dealer Provider of the Company in the Country where the sale is finalised. The warranty for this product shall be valid only if the product has been purchased through an Official Distributor/ Dealer.
4. This original certificate must be preserved by the customer and produced whenever required.
5. During the warranty period and under normal use, if the product / component / part is found to be of faulty due to manufacturing defect, the same will be repaired or replaced upon production of this warranty certificate, without charges either for part or labor or both, the decision of company official will be final for fault qualifies for warranty.
6. Warranty remains applicable only if the products have at all times been used strictly in accordance with the terms of this warranty and has not been improperly or negligently handled and is not maintained in accordance to maintenance guidelines given.
7. In the event of non-availability of components or parts due to any reason whatsoever Company or its Authorized Service provider or the Dealer will not be responsible or liable for any delay that may be caused to service/repair of the Products; no claims financial or otherwise will be entertained.
8. Warranty on Wellness Products against defects in material or workmanship as follows: Company will repair at no charge for parts only or, at its option, replace any product or part which proves defective because of improper workmanship and/ or material, under normal installation, use, service and maintenance.
9. Company and customer agree that company will not be liable for any damages whatsoever arising out of use or inability to use its Company's Products. Jaquar bears no responsibility for incidental or consequential damages arising out of use or inability to use Company Product.
10. Company and customer agree that Company shall have no liability for any cargo loss, loss of use or any incidental or consequential damages arising out of this order which are alleged to have been caused by any of the goods delivered hereunder.
11. By purchasing this product, customer agrees to Company's aforesaid warranty on the product.
12. Company neither assumes nor authorizes any person to assume for us any other obligation or liability in connection with sale of this product.
13. Under no circumstances shall Jaquar be responsible for any incidental or consequential or any other damage or cost or expense, including but not limited to loss of profit or removal, transportation, handling or re-fixing costs and expenses.
14. Customer and Company agree that customer's sole remedy for any defects in goods hereunder shall be limited to the repair or replacement at the Company's option within warranty period after delivery of such goods to the first purchaser, of any defective goods, of which notice of defects is given by the Customer to the Company in accordance with terms of this warranty certificate. The part/product against replaced part/product will be property of Company.
15. Company Shall not be liable to Customer claiming the warranty under the terms of condition of this Limited Warranty Certificate, due to defects caused by rodents/pets or in the events of force majeure. The Force Majeure means any disaster, act of God or the public enemy, any accident, explosion, fire, storm, earthquake, electric storms, tornado, flood, casualty, lockout, strike, labour conditions, unavoidable accident, nuclear explosion, national calamity, or any other circumstance or event or by any enactment of law, or by order of any legally constituted authority, or by any other similar cause of the Company or beyond the reasonable control of the party relying upon such circumstance or event.
16. Company and customer agree that Jaquar bears no responsibility for incidental and / or consequential damage arising out of use and for inability to use a product. Company liability will be limited and restricted to the product replacement/value of the product sold. Company under all circumstances shall not be liable to uninstall the defective product or installed replacement product. In case replacement is the only option then the customer has to hand over the defective product to the seller from whom it was purchased and take the replacement product from there.
17. In order to claim warranty, this Limited Warranty Certificate, duly filled, stamped and signed by the Dealer must be submitted along with product on which warranty claim is made to attending authorized service personnel.



**NOTWITHSTANDING THE ABOVE, THE FOREGOING WARRANTY SHALL NOT APPLY TO THE FOLLOWING:**

1. Any defect or damage caused to the product due to natural wear and tear;
2. Any defect or damage arising from reasons attributable to the purchaser/ third party, including without limitation willful actions, negligence, mishandling, improper storage, improper fitting, misuse or improper repair, faulty installation, negligence, accidents and repairs by unauthorized person or maintenance practices and/or used in any manner contrary to any written instructions provided by Jaquar; **however the certificate entitles the customer to seek training for his plumber from nearest Jaquar office.**
3. Any other defect or damage occurring or being notified after the expiry of Warranty Period, including but not limited to any latent defect.
4. The problems arising from inadequate water pressure, water impurities or improper care and cleaning and Voltage fluctuations
5. In line water filters, should be used with faucets so that any damage to ceramic cartridges without the use of in line filters will void warranty
6. Intentional and Accidental use of cleaners containing abrasive cleansers, ammonia, bleach, hair dye, acids, waxes, alcohol, solvents, bath oil, bath salts or other products not recommended for Color and Coating and due to Improper cleaning or cleaning with coarse cloth also for fading of any material due to sun or chemical exposure
7. Any goods which after delivery hereunder have been repaired or modified or altered by anyone other than that has been authorized and approved by the Jaquar.
8. This warranty does not cover installation or any other labour charges associated with the job work or re-installation of Jaquar products.
9. When the product is not operated in accordance with the instructions concerning use and operating.
10. Damage to any products based on or resulting from installation or repair, misuse or abuse or alteration or adjustment, whether performance by a contractor, service company or yourself.
11. Damage resulting from failing to reasonably clean, care for or maintain a product.
12. This warranty does not cover the damages as a result of disaster such as fire or acts of God, including flooding, earthquake, or electric storms and other Force Measure.

**Notwithstanding the above, the foregoing warranty shall not apply to the below mentioned conditions Related to Geysers:**

1. Element bust and component failure due to calcium deposition.
2. Claim related to Shock coming from taps due to improper earth line.
3. Any damage to the unit, if safety valve & Proper rating of MCB was not installed.
4. Poor Installation resulting from not following and implementing the standard instruction and guidelines issued with product.
5. Leakage due to Poor quality of Braided hose, angle valve, in out knob if not from Jaquar Brand.
6. In extreme cold condition drain out water from water heater through safety valve after use. Don't allow water to freeze in the tank.
7. If anode rod, the consumable, is not replaced with new anode rod

**Notwithstanding the above, the foregoing warranty shall not apply to the below mentioned conditions Related to Concealed Cisterns, Bathtubs, Whirlpool, and Steam Enclosures & Glass Shower Enclosures for the following:**

1. Damage to the finish of fittings or accessories caused by the use of cleaning solvents/chemicals or improper cleaning methods.
2. Damage resulting from the use of chloramines, excessive concentration of chlorine in water.
3. Damage in shipping, handling or transportation. Please inspect the unit prior to installation to ensure the unit is free of any defect or damage.
4. The warranty does not cover glass breakage or the coating on the glass. By its nature, all glass has the potential to shatter; therefore, Jaquar use only toughened safety glass.



